

GARANTÍA LIMITADA POR UN AÑO (Válida únicamente en los EE.UU.)

HoMedics, Inc., garantiza este producto contra defectos en material y mano de obra durante el período de un año a partir de la fecha original de compra con las excepciones que se detallan a continuación.

Esta garantía de producto de HoMedics no cubre daños causados por un uso inadecuado, abuso, accidente, la conexión de accesorios no autorizados, la alteración del producto o cualquier otra condición sin importar cual sea que se encuentre fuera del control de HoMedics. Esta garantía es válida sólo si el producto es comprado y usado en los EE.UU. Esta garantía no cubre un producto que requiera modificación o alteración para que pueda usarse en cualquier otro país distinto del país por el cual fue diseñado, fabricado, aprobado y/o autorizado, o la reparación de productos dañados a causa de estas modificaciones. HoMedics no será responsable de ningún tipo de daños incidentales, consecuentes o especiales. Todas las garantías implícitas, incluyendo entre otras, aquellas garantías implícitas de idoneidad y comerciabilidad, están limitadas a la duración total de un año a partir de la fecha original de compra.

Para obtener un servicio cubierto por la garantía para su producto HoMedics, puede entregar la unidad personalmente o enviarla por correo junto con su recibo de compra fechado (como prueba de la compra), el franqueo pagado, junto con un cheque o una orden de pago por el monto de \$5.00, pagadero a HoMedics, Inc. para cubrir los gastos de manipulación.

Una vez recibido, HoMedics reparará o reemplazará su producto, según lo que sea apropiado y se lo enviará con el franqueo pagado. Si es apropiado reemplazar su producto, HoMedics lo reemplazará con uno igual o comparable, a opción de HoMedics. La garantía es válida únicamente a través del Centro de servicio HoMedics. El servicio realizado a este producto por cualquier otro diferente al Centro de servicio HoMedics anulará la garantía.

Esta garantía le proporciona derechos legales específicos. Es posible que usted tenga derechos adicionales que pueden variar de un estado a otro. Debido a las regulaciones de los diferentes estados, es posible que algunas de las limitaciones y exclusiones no se apliquen en su caso.

Por más información con respecto a nuestra línea de productos en los EE.UU., visítenos en: www.homedics.com

Dirección postal:

HoMedics
Consumer Relations
Service Center Dept. 168
3000 Pontiac Trail
Commerce Township, MI
48390

Correo electrónico:
cservice@homedics.com

©2003 HoMedics, Inc. y sus compañías afiliadas, reservados todos los derechos. HoMedics® es una marca registrada de HoMedics, Inc. y sus compañías afiliadas. Envirastation™ es una marca comercial de HoMedics Inc. y sus compañías afiliadas. Reservados todos los derechos.

IB-WRFREL

RAIN FOREST FOUNTAIN ENVIRASCAPE™ RELAXING RAINS



Instruction Manual and Warranty Information

WRF-REL

1 year
limited warranty

El manual en
español empieza a
la página 9

The sounds of nature soothe human nature

Thank you for purchasing EnviraScape Relaxing Rains, the HoMedics Rainforest fountain. This, like the entire HoMedics product line, is built with high-quality craftsmanship to provide you years of dependable service. We hope that you will find it to be the finest product of its kind.

EnviraScape enables you to create an all-encompassing environment with sound. The sound of flowing water enhances your environment by releasing negative ions, and promoting relaxation. Only EnviraScape offers you the luxury of these vital benefits along with its creative design which adds beauty to any indoor environment.

IMPORTANT SAFETY INSTRUCTIONS:

When using an electrical appliance, basic precautions should always be followed, including the following:

READ ALL INSTRUCTIONS BEFORE USING

DANGER - To reduce the risk of electric shock:

- Always unplug the appliance from the electrical outlet immediately after using and before cleaning.
- Do not reach for an appliance that has fallen into water. Unplug it immediately.
- Do not place or store appliance where it can fall or be pulled into a tub or sink.
- Do not place in or drop into water or other liquid.
- Do not connect to any voltage other than that shown on the pump.
- Do not pump flammable liquids.
- Do not use water above 90°F.

WARNING - To reduce the risk of burns, fire, electric shock or injury to persons:

- An appliance should never be left unattended when plugged in. Unplug from outlet when not in use and before putting on or taking off parts or attachments.
- Close supervision is necessary when this appliance is used by or near children, invalids or disabled persons.
- Use this appliance only for its intended use as described in this manual. Do not use attachments not recommended by HoMedics; specifically any attachments not provided with the unit.
- Never operate this appliance if it has a damaged cord, plug, pump, cable or housing. If it is not working properly, if it has been dropped or damaged, return it to Homedics Service Center for examination and repair.
- Keep cord away from heated surfaces.
- Never drop or insert any object into any opening.

- Do not operate where aerosol (spray) products are being used or where oxygen is being administered.
- Do not carry this appliance by supply cord or use cord as handle.
- To disconnect, remove plug from outlet.
- This appliance is designed for indoor use only. Do not use outdoors.

CAUTION:
The pump must be completely submerged in water. If the pump is making noises, most likely it is not completely submerged in water.

CAUTION:
Only set the fountain and fountain parts on waterproof surfaces

SAVE THESE INSTRUCTIONS

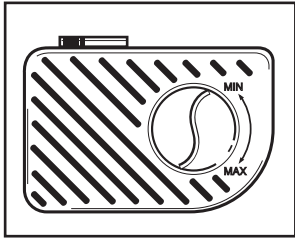
Caution – Please read all instructions carefully before operating.

- Never leave the appliance unattended, especially if children are present.
- Never cover the appliance when it is in operation.
- This unit should not be used by children without adult supervision.
- Connect the pump with the proper voltage as indicated on the pump label.
- Always keep the cord away from high temperature and fire.
- Unplug the pump from power source before cleaning, maintenance or disassembling.
- To get the best flowing effect, product must be placed on a flat waterproof surface and should never be placed on an electrical appliance.
- Never let pump run dry, as this will shorten life of the pump.
- Do not lift, carry, hang, or pull the pump by the power cord.
- Operate with tap water or distilled water (recommended).
- Operate pump completely submerged for proper cooling.
- The electrical cord of this product cannot be replaced. If it sustains damage, you must stop using this product immediately and return it to the HoMedics Service Center for repair. (See the warranty section for HoMedics address.)
- Disconnect the appliance from the outlet before putting hands into water.

Envirascape Features

- Adjustable rainfall – Choose from a gentle shower to a dramatic downpour
- Six natural sounds - Rain Forest, Loons, Summer Night, Thunder, Sunrise and Wind Chimes
- Continuously changing colors – Illuminates fountain in red, blue and yellow
- Durable electrical water pump
- Convenient tabletop size – Fountain measure 7”L x 5.75”W x 13.25”H

Figure 1



Assembly and Instructions for Use

1. Unpack the product and place on a horizontal surface on top of the waterproof black mat provided. Wipe off dust with a damp cloth.
2. Familiarize yourself with the pump. The pump speed is controlled by the dial located at the front of the pump. The speed is indicated by a "min" and "max" (Fig 1). At its highest speed level, the dial will cease to move any further. To decrease the pump speed, move the dial counter-clockwise toward the "min" sign. Similarly, at its lowest speed, the dial will cease to move any further.
3. Insert the plastic tubing into the pump. Place pump into fountain lower basin (Fig 2).
4. Fill the lower basin with clean water. The water level should be approximately 1/2 an inch below the steel net (Fig 3). NOTE: Distilled water is recommended for easier maintenance.
5. Attach the A/C adaptor jack to the base power cord. DO NOT plug into outlet at this time. (Fig 2)
6. Insert light & sound cord through hole in top basin and insert into plug on bottom of lid. Then screw housing clockwise until tight. (Fig 4)

Figure 2

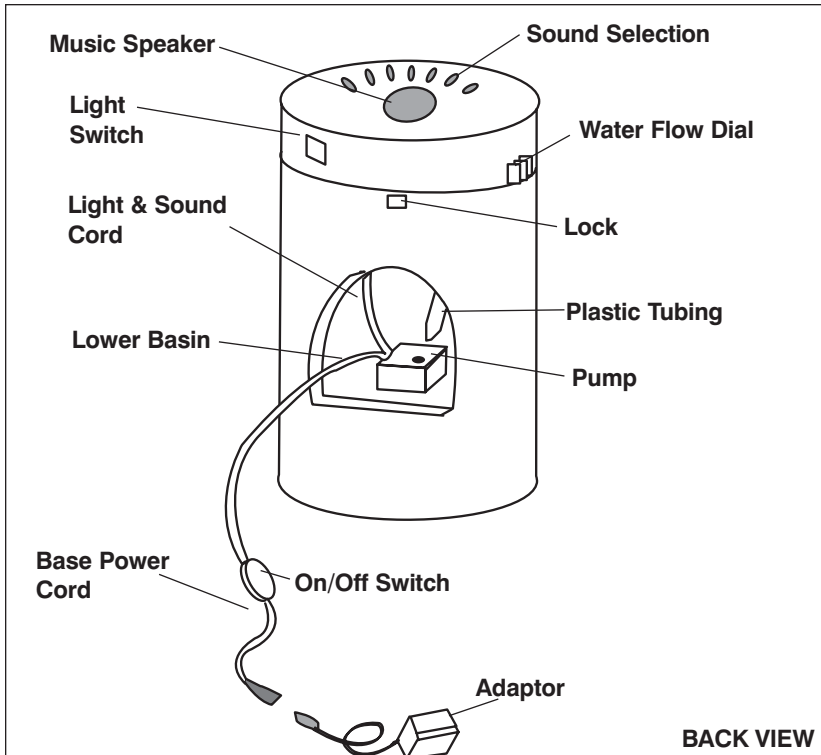


Figure 3

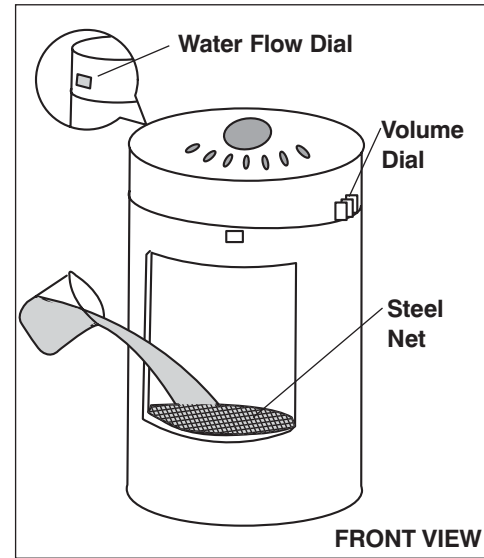
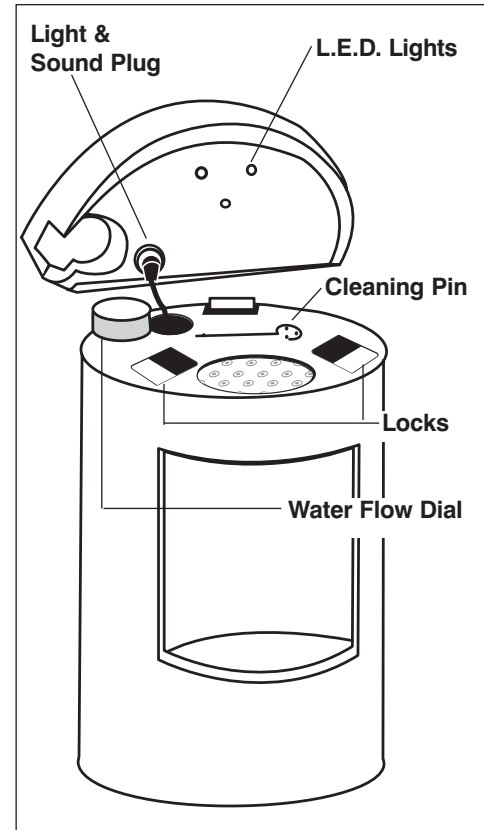


Figure 4



7. Tilt lid forward and line up the hooks of the lid with the square locks of the top basin. Then place flat onto fountain top and slide lock switch (Fig. 2) to hold securely in place.
8. Plug the power cord into a 120V household outlet. The fountain & sound machine are controlled by the switch on the power cord. To operate Rain Forest Fountain, turn on by rotating switch on cord (Fig. 2). If fountain doesn't operate, rotate switch once to turn on and once more to turn off to reset. NOTE: Unit power must be "ON" in order for both the fountain and sound machine to operate.
9. To use light, flip switch on the back of the fountain lid (Fig 2). Light will continuously change colors.
10. To adjust rainfall speed, turn the water flow dial (Fig 2) clockwise to increase the rainfall and counter-clockwise to decrease. When dial stops in counter-clockwise motion, rainfall will come to a stop.
11. To use sounds, turn volume dial (Fig 3) counter-clockwise to turn on. Then select your nature sound by pressing the sound button of your choice. Volume can be adjusted by turning the volume dial – counter-clockwise to increase volume and clockwise to decrease volume.
12. To Turn sounds off either:
 - a. Press the off button on the lid to retain your volume setting for the next use, or
 - b. Turn the volume dial clockwise until it clicks off.
13. Turn fountain & sound machine off by turning the switch on the power cord.

NOTE: Main power switch must be used to turn unit completely on or off.

- Fountain can be used independent of sound machine
- Sound Machine can be used without fountain water flowing, although pump will remain on unless main "on/off" switch is turned off.

Caution:
All servicing of this fountain must be performed by authorized HoMedics service personnel only.

Attention:
In order to get best results, please operate pump completely submerged. Keep the water level above the minimum water level ALL THE TIME.

Maintenance

- **To clean the pump:**

Unplug from electrical outlet. Remove it from the base of the fountain. Use a small brush or stream of water to remove any debris (Fig 6).

- **To keep water clean:**

Periodically change water and clean the product according to the water condition. Keeping the water clean prevents the water from becoming sticky and forming micro-organisms.

- **Keeping the water at an optimum level:**

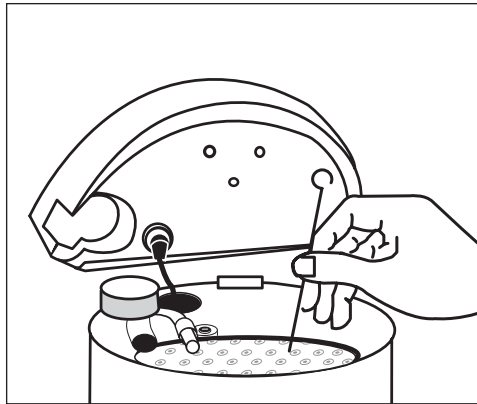
Add water periodically to keep water level at an optimum level to avoid shortening the life of the pump.

NOTE: Never let the pump run dry, as this will shorten the life of the pump.

- **Fountain Storage**

Unplug the fountain from the electrical outlet, empty the water, and store in a dry, cool place.

Figure 5



Troubleshooting

- **If water of rainfall holes fails to flow:**

Open the lock, take off the lid, and remove the black cover. Take cleaning pin out and stick through holes several times (Fig 5). Then replace cover and lid in place.

- **If the pump fails to operate, check the following:**

Check the circuit breaker, or try a different outlet to make sure the pump is getting electrical power. **NOTE:** Always disconnect from electrical outlet before handling the pump.

Check the pump discharge and tubing for kinks and obstructions. Algae build up can be flushed out under a heavy faucet.

Remove the pump inlet to access the impeller area. Turn the rotor to ensure it is not broken or jammed (Fig 6).

Monthly maintenance will add to your pump's life.

NOTE: Ensure that the electrical cord loops below the electrical outlet to form a 'Drip Loop'. This will prevent water from running down the cord into the electrical outlet.

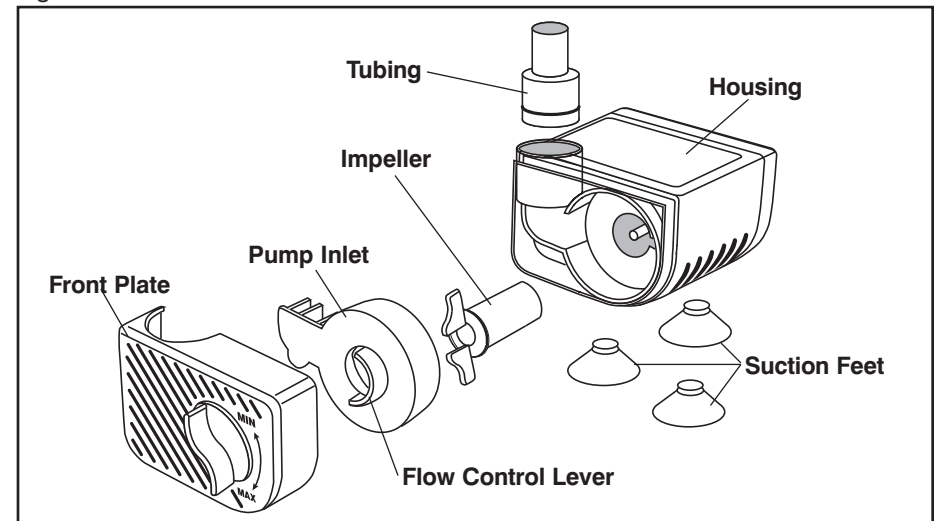
- **If the pump gurgles, spews or "burps":**

Check the water level to make sure the pump has enough water to function.

- **Obtaining a desired water level:**

Check the water level daily the first week to measure the rate of evaporation; refill with water as needed.

Figure 6



ONE YEAR LIMITED WARRANTY (Valid in USA only)

HoMedics, Inc., guarantees this product free from defects in material and workmanship for a period of one year from the date of original purchase, except as noted below.

This HoMedics product warranty does not cover damage caused by misuse or abuse; accident; the attachment of any unauthorized accessory; alteration to the product; or any other conditions whatsoever that are beyond the control of HoMedics. This warranty is effective only if the product is purchased and operated in the USA. A product that requires modification or adaptation to enable it to operate in any country other than the country for which it was designed, manufactured, approved and/or authorized, or repair of products damaged by these modifications is not covered under warranty. HoMedics shall not be responsible for any type of incidental, consequential or special damages. All implied warranties, including but not limited to those implied warranties of fitness and merchantability, are limited in the total duration of one year from the original purchase date.

To obtain warranty service on your HoMedics product, either hand deliver or mail the unit and your dated sales receipt (as proof of purchase), postpaid, along with check or money order in the amount of \$5.00 payable to HoMedics, Inc. to cover handling.

Upon receipt, HoMedics will repair or replace, as appropriate, your product and return it to you, postpaid. If it is appropriate to replace your product, HoMedics will replace the product with the same product or a comparable product at HoMedics' option. Warranty is solely through HoMedics Service Center. Service of this product by anyone other than HoMedics Service Center voids warranty.

This warranty provides you with specific legal rights. You may have additional rights which may vary from state to state. Because of individual state regulations, some of the above limitations and exclusions may not apply to you.

For more information regarding our product line in the USA, please visit: www.homedics.com

© 2003 HoMedics, Inc. and its affiliated companies, all rights reserved. HoMedics® is a registered trademark of HoMedics, Inc. and its affiliated companies. Envirascape™ is a trademark of HoMedics, Inc. and its affiliated companies. All rights reserved.

IB-WRFREL

FUENTE DE BOSQUE LLUVIOSO ENVIRASCAPE™ LLUVIAS RELAJANTES



**Manual de instrucciones e
Información de garantía**

WRF-REL

1 año de
garantía limitada

Los sonidos de la naturaleza alivian la naturaleza humana

Gracias por comprar Lluvias Relajantes EnviraScape, la fuente de Bosque Lluvioso de HoMedics. Éste, al igual que toda la línea de productos HoMedics, está fabricado con mano de obra de alta calidad para brindarle años de servicio confiable. Esperamos que lo encuentre como el mejor producto de su clase.

EnviraScape le permite crear un ambiente completo con sonido. El sonido del agua fluyendo realza su ambiente liberando iones negativos e incentivando la relajación. Sólo EnviraScape le ofrece el lujo de estos beneficios vitales junto con su creativo diseño que agrega belleza a cualquier ambiente interior.

IMPORTANTES INSTRUCCIONES DE SEGURIDAD:

Cuando utiliza un artefacto eléctrico, siempre se deben seguir ciertas precauciones básicas, incluyendo lo siguiente:

LEA TODAS LAS INSTRUCCIONES ANTES DE USAR

PELIGRO

- Para reducir el riesgo de choque eléctrico:

- Siempre desenchufe el artefacto del tomacorriente, inmediatamente después de usar y antes de limpiarlo.
- No intente tomar un artefacto que haya caído al agua. Desenchúfelo de inmediato.
- No coloque ni guarde el artefacto en donde pueda caerse o ser tirado en una tina o pileta.
- No lo coloque ni lo deje caer en agua ni en ningún otro líquido.
- No lo conecte a ningún otro voltaje distinto de aquel que se indica en la bomba.
- No bombee líquidos inflamables.
- No la use con agua a una temperatura superior a los 90° F.

ADVERTENCIA

- Para reducir el riesgo de quemaduras, incendio, choque eléctrico o lesiones a las personas:

- Un artefacto NUNCA debe ser dejado sin atención cuando está enchufado. Desenchúfelo del tomacorriente cuando no lo esté usando y antes de colocar o quitar piezas o accesorios.
- Se requiere una supervisión estricta cuando este artefacto es usado por o cerca de niños, personas minusválidas o incapacitadas.
- Utilice este artefacto sólo para el uso para el cual está diseñado y como se describe en este manual. NO use accesorios no recomendados por HoMedics, específicamente ningún accesorio no proporcionado con la unidad.
- Nunca haga funcionar este aparato si tiene el cordón, el enchufe, la bomba el cable o el armazón dañado. Si no está funcionando adecuadamente, si se ha caído o dañado, envíelo al Centro de servicio de HoMedics para que sea examinado y reparado.
- Mantenga el cable alejado de superficies calientes.
- Nunca lo deje caer ni inserte ningún objeto en ninguna abertura.
- No lo haga funcionar donde se utilizan productos de rociado por aerosol o donde se está administrando oxígeno.

ADVERTENCIA:
La bomba debe estar completamente sumergida en agua. Si la bomba hace ruidos, lo más probable es que no está completamente sumergida en agua.

ADVERTENCIA:
Coloque la fuente y las piezas de la fuente únicamente sobre superficies impermeables.

- NO lleve este artefacto tomado del cable, ni use el cable como manija.
- Para desconectarlo, retire el enchufe del tomacorriente.
- Este artefacto está diseñado para uso al interior exclusivamente. No lo use en exteriores.

GUARDE ESTAS INSTRUCCIONES

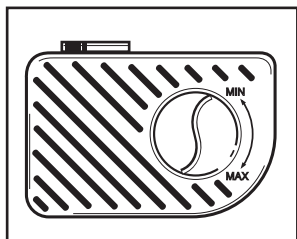
Precaución - Lea todas las instrucciones con atención antes de poner en funcionamiento.

- Nunca deje el artefacto sin vigilancia, especialmente si hay niños presentes.
- Nunca cubra el artefacto mientras está en funcionamiento.
- Esta unidad no debe ser usada por niños sin la supervisión de un adulto.
- Conecte la bomba con el voltaje adecuado según se indica en la etiqueta de la bomba.
- Mantenga siempre el cordón alejado de temperaturas elevadas y de llamas.
- Desenchufe la bomba de la fuente de energía antes de limpiar, realizar el mantenimiento o desarmar.
- Para obtener el mejor efecto de flujo, se debe colocar el producto sobre una superficie plana e impermeable y nunca se lo debe colocar sobre un artefacto eléctrico.
- Nunca deje que la bomba funcione sin agua, ya que esto acortará la vida de la bomba.
- No levante, lleve, cuelgue ni tire de la bomba tomándola del cable de corriente.
- Haga funcionar la bomba con agua de la llave o destilada (se recomienda).
- Para lograr el enfriamiento apropiado, la bomba debe trabajar completamente sumergida.
- El cordón eléctrico de este artefacto no puede reemplazarse. Si presenta daños, debe dejar de usar este producto de inmediato y enviarlo al Centro de servicio de HoMedics para su reparación. (Ver la dirección de HoMedics en la Sección de Garantía).
- Desconecte el artefacto del tomacorriente antes de poner sus manos en el agua.

Características del EnviraScape

- Intensidad de lluvia ajustable – Escoja de una lluvia liviana hasta un aguacero intenso
- Seis sonidos naturales – Bosque Lluvioso, Noche de Verano, Trueno, Amanecer y Carillones de Viento
- Colores que cambian constantemente – Iluminan la fuente en rojo, azul y amarillo
- Bomba de agua eléctrica de gran duración
- Conveniente tamaño para la mesa – la fuente mide 7" Largo x 5,75" Ancho x 13,25" Alto

Figura 1



Instrucciones de uso y montaje

1. Retire el producto del embalaje y colóquelo sobre una superficie horizontal en el tapetito negro impermeable que se proporciona. Quite el polvo con un paño húmedo.
2. Familiarícese con la bomba. La velocidad de la bomba es controlada por el disco ubicado en la parte delantera de la bomba. La velocidad es indicada con "min" y "max" (Fig. 1). Al nivel máximo de velocidad, el disco habrá llegado al tope. Para reducir la velocidad de la bomba, mueva el disco en sentido anti-horario hacia "min". De la misma forma, en su velocidad menor, el disco se detendrá.
3. Introduzca el tubo de plástico dentro de la bomba. Coloque la bomba en el recipiente inferior de la fuente (Fig. 2).
4. Llene el recipiente inferior con agua limpia. El nivel de agua debe ser cerca de 1/2 pulgada debajo de la malla de acero (Fig. 3). **ATENCIÓN:** Para facilitar el mantenimiento, se recomienda el uso de agua destilada.
5. Adjunte el receptáculo del adaptador de C/A al cable de corriente de la base. **NO** enchufe al tomacorriente en este momento. (Fig. 2).
6. Inserte el cordón de luz y sonido por el orificio del recipiente superior y en el enchufe al fondo de la tapa. Luego, enrosque la carcasa en sentido horario hasta que quede apretada. (Fig. 4).
7. Incline la tapa hacia delante y alinee los ganchos de la tapa con los cierres cuadrados del recipiente superior. Luego

Figura 2

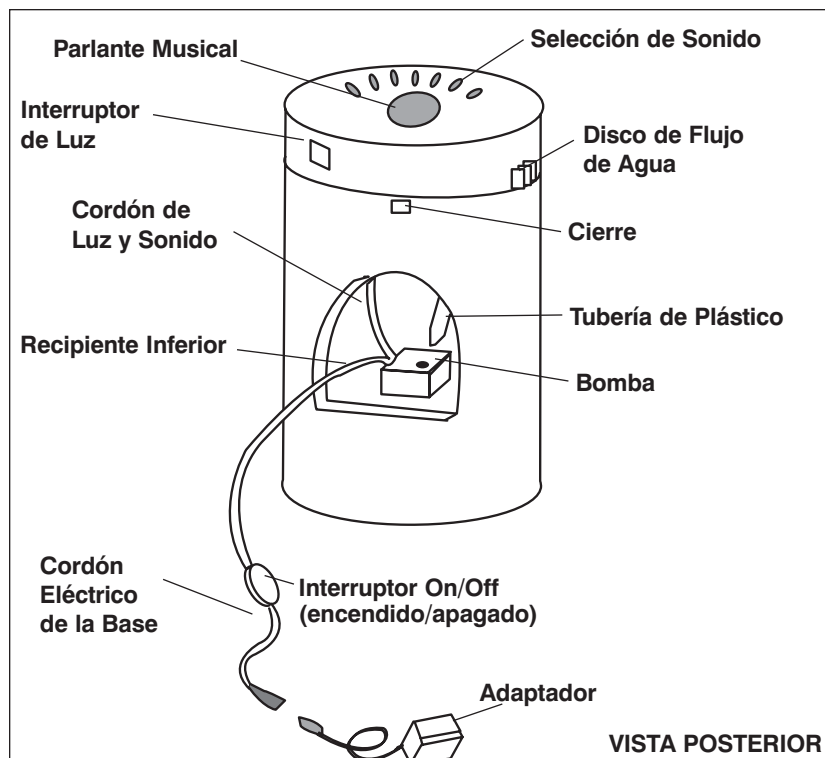


Figura 3

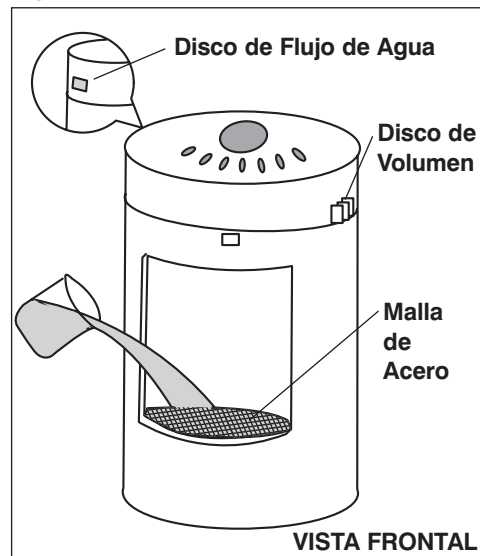
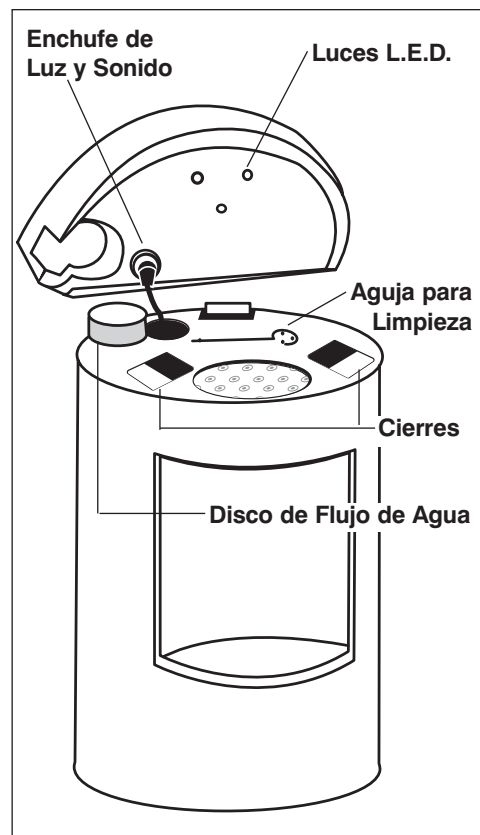


Figura 4



colóquela plana sobre el extremo superior de la fuente y deslice el cierre (Fig. 2) para asegurarla en su lugar.

8. Enchufe el cordón en un tomacorriente doméstico de 120 voltios. El dispositivo de la fuente y sonido están controlados por el interruptor en el cordón eléctrico. Para activar la Fuente de Bosque Lluvioso, enciéndala girando el interruptor en el cordón (Fig. 2). Si la bomba no funciona, gire el interruptor una vez para encender (ON), y una vez más para apagar (OFF) y reajustar. **ATENCIÓN:** La unidad debe estar encendida ("ON") para que el dispositivo de la fuente y del sonido puedan funcionar.
 9. Para activar la luz, voltee el interruptor al respaldo de la tapa de la fuente (Fig. 2). La luz cambiará de color constantemente.
 10. Para ajustar la velocidad de la lluvia, gire el disco del flujo de agua (Fig. 2) en sentido horario para aumentar la intensidad de lluvia, y en sentido antihorario para reducirla. Cuando el disco llega al tope en dirección antihoraria, la lluvia para.
 11. Para activar el sonido, gire el disco del volumen (Fig. 3) en sentido antihorario para encenderlo. Luego, seleccione el tipo de sonido oprimiendo el botón del sonido que desea seleccionar. Puede ajustarse el volumen girando el disco del volumen – en sentido antihorario para aumentar, y horario para reducir.
 12. Para apagar el sonido hay dos opciones:
 - a. Oprima el botón OFF (apagado) de la tapa para conservar el ajuste de volumen para el uso siguiente, o
 - b. Gire el disco del volumen en sentido horario hasta que se apaga con un chasquido.
 13. Apague el dispositivo de la fuente y sonido girando el interruptor en el cordón eléctrico.
- ATENCIÓN:** Para apagar o encender la unidad por completo debe usarse el interruptor principal de energía.
- Puede activarse la fuente independientemente del dispositivo de sonido
 - El dispositivo de sonido puede usarse sin que la fuente arroje agua; sin embargo, la bomba permanece activa a menos de que se apague el interruptor principal "on/off".

Precaución:
Todo servicio para esta fuente debe ser realizado por personal de servicio autorizado de HoMedics.

Atención:
Para obtener mejores resultados haga funcionar la bomba totalmente sumergida. Mantenga el agua por encima del nivel mínimo EN TODO MOMENTO.

Mantenimiento

• Para limpiar la bomba:

Desenchufe del tomacorriente eléctrico. Quite la bomba de la base de la fuente. Utilice un cepillo pequeño o chorro de agua para quitar cualquier desecho (Fig. 6).

• Para mantener el agua limpia:

Cambie el agua periódicamente y limpie el producto de acuerdo a la condición del agua. El mantener el agua limpia impide que se vuelva pegajosa y que se formen microorganismos.

• Para mantener el agua a su nivel óptimo:

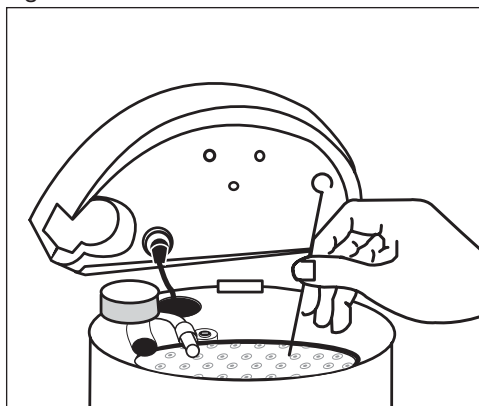
Agregue agua en forma periódica para mantener el agua en un nivel óptimo y evitar que la vida de la bomba se vea reducida.

ATENCIÓN: Nunca deje que la bomba funcione sin agua, ya que esto acortará la vida de la bomba.

• Guardado de la fuente:

Desenchufe la fuente del tomacorriente eléctrico, vacíe el agua y guarde el artefacto en un lugar fresco y seco.

Figura 5



Solución de problemas

• Si el agua no se escurre por los orificios de la lluvia:

Abra el cierre, retire la tapa y la cubierta negra. Tome la aguja para limpiar y pásela por los orificios varias veces (Fig. 5). Luego vuelva a colocar cubierta y tapa en su lugar.

• Si la bomba no se enciende, controle lo siguiente:

Revise el disyuntor o enchufe la unidad en otro tomacorriente para asegurarse de que la bomba está recibiendo corriente. **ATENCIÓN:** Siempre desconecte la bomba del tomacorriente eléctrico antes de manipularla.

Revise la descarga de la bomba y las mangueras para detectar pliegues u obstrucciones. La acumulación de algas se puede enjuagar con agua de la llave con buena presión.

Quite la entrada de la bomba para obtener acceso al área del propulsor. Gire el rotor para asegurarse de que no esté roto o trabado (Fig. 6).

El mantenimiento mensual alargará la vida de su bomba.

ATENCIÓN: Asegúrese de que el cable de corriente cuelgue por debajo del tomacorriente eléctrico para formar un "bucle de goteo". Esto impedirá que el agua se escurra por el cordón en el tomacorriente.

• Si la bomba gorgotea, "vomita" o "eructa":

Revise el nivel del agua para asegurar que la bomba tenga suficiente agua para funcionar.

• Cómo lograr el nivel de agua deseado:

Revise diariamente el nivel de agua en la primera semana para medir la velocidad de evaporación; agregue agua según sea necesario.

Figura 6

