

HoMEDICS

HoMEDICS®

GARANTÍA LIMITADA POR UN AÑO

HoMedics vende sus productos con la intención de que no tengan defectos de fabricación ni de mano de obra por un plazo de un año a partir de la fecha de compra original, con las siguientes excepciones. HoMedics garantiza que sus productos no tendrán defectos de material ni de mano de obra bajo condiciones de uso y servicio normales. Esta garantía se extiende únicamente a consumidores y no a distribuidores.

Para obtener servicio para su producto HoMedics, envíe por correo el producto y su recibo de compra fechado (como comprobante de compra), con franqueo pago, a la siguiente dirección:

HoMedics Consumer Relations
Service Center Dept. 168
3000 Pontiac Trail
Commerce Township, MI 48390

No se aceptarán pagos contra entrega.

HoMedics no autoriza a nadie, incluyendo, pero sin limitarse a, distribuidores, posteriores consumidores compradores del producto a un distribuidor, o compradores remotos, a obligar a HoMedics de forma alguna más allá de las condiciones aquí establecidas. La garantía de este producto no cubre daños causados por uso inadecuado o abuso, accidente, conexión de accesorios no autorizados, alteración del producto, instalación inadecuada, reparaciones o modificaciones no autorizadas, uso inadecuado de la fuente de energía/electricidad, cortes de energía, caída del producto, funcionamiento incorrecto o daño de una pieza de funcionamiento debido al no cumplimiento del mantenimiento recomendado por el fabricante, daños durante el transporte, robo, descuido, vandalismo, condiciones climáticas, pérdida de uso en el período durante el cual el producto está en una instalación de reparación o a la espera de piezas o reparación, o cualquier otra condición, sin importar cual sea, que se encuentre fuera del control de HoMedics.

Esta garantía es válida únicamente si el producto es comprado y operado en el país en el cual se compró el producto. Un producto que requiera modificaciones o adaptación para habilitar su funcionamiento en cualquier país que no sea aquél para el que fue diseñado, fabricado, aprobado y/o autorizado, o la reparación de productos dañados por estas modificaciones no están cubiertos bajo esta garantía.

LA GARANTÍA AQUÍ ESTABLECIDA SERÁ LA ÚNICA Y EXCLUSIVA GARANTÍA. NO HABRÁ NINGUNA OTRA GARANTÍA EXPRESA NI IMPLÍCITA, INCLUYENDO NINGUNA GARANTÍA DE COMERCIALIZACIÓN O APTITUD NI NINGUNA OTRA OBLIGACIÓN POR PARTE DE LA COMPAÑÍA CON RESPECTO A PRODUCTOS CUBIERTOS POR ESTA GARANTÍA. HoMEDICS NO TENDRÁ RESPONSABILIDAD ALGUNA POR NINGÚN DAÑO INCIDENTAL, CONSECUENTE NI ESPECIAL. BAJO NINGÚN CONCEPTO ESTA GARANTÍA REQUERIRÁ MÁS QUE LA REPARACIÓN O CAMBIO DE ALGUNA PIEZA O PIEZAS QUE SE HALLEN DEFECTUOSAS DENTRO DEL PERÍODO DE VIGENCIA DE ESTA GARANTÍA. NO SE EFECTUARÁN REEMBOLSOS. SI NO HAY PIEZAS DE REPUESTO DISPONIBLES PARA LOS MATERIALES DEFECTUOSOS, HoMEDICS SE RESERVA EL DERECHO DE REALIZAR SUSTITUCIONES EN VEZ DE REPARAR O CAMBIAR.

Esta garantía no se extiende a la compra de productos abiertos, usados, reparados, embalados otra vez y/o abiertos y vueltos a cerrar, incluyendo entre otras cosas la venta de dichos productos en sitios de remate por Internet y/o la venta de dichos productos por revendedores o mayoristas. Todas y cada una de las garantías cesarán y terminarán inmediatamente con respecto a cualquier producto o pieza del mismo que estén reparados, cambiados, alterados o modificados sin el consentimiento previo explícito y por escrito de HoMedics.

Esta garantía le proporciona derechos legales específicos. Es posible que usted tenga derechos adicionales que pueden variar de un país a otro. Debido a las regulaciones de ciertos países, es posible que algunas de las limitaciones y exclusiones no se apliquen en su caso.

Por más información con respecto a nuestra línea de productos en los EE.UU., visítenos en:
www.homedics.com

©2005 HoMedics, Inc. y sus compañías afiliadas, reservados todos los derechos. HoMedics® es una marca registrada de HoMedics, Inc. y sus compañías afiliadas. EnviraScape™ es una marca registrada de HoMedics Inc. y sus compañías afiliadas. Reservados todos los derechos.

IBWFLCANRUSA

Dirección postal:

HoMedics
Consumer Relations
Service Center Dept. 168
3000 Pontiac Trail
Commerce Township, MI
48390

Correo electrónico:
cservice@homedics.com

TABLETOP
RELAXATION
FOUNTAIN

enviraScape™

RUSTIC LANTERN



**Instruction Manual and
Warranty Information**

WFL-CANRUS

**El manual en
español empieza a
la página 9**

1 year
limited warranty



The sounds of nature soothe human nature.

Thank you for purchasing EnviraScape, the HoMedics tabletop relaxation fountain. This, like the entire HoMedics product line, is built with high-quality craftsmanship to provide you years of dependable service. We hope that you will find it to be the finest product of its kind.

EnviraScape enables you to create an all-encompassing environment with sound. The sound of cascading water enhances your environment by releasing negative ions, and promoting relaxation. Only EnviraScape offers you the luxury of these vital benefits with creative design, which adds beauty to any indoor environment.

IMPORTANT SAFETY INSTRUCTIONS:

When using an electrical appliance, basic precautions should always be followed, including the following:

READ ALL INSTRUCTIONS BEFORE USING

DANGER - To reduce the risk of electric shock:

- Always unplug the appliance from the electrical outlet immediately after using and before cleaning.
- Do not reach for an appliance that has fallen into water. Unplug it immediately.
- Do not place or store appliance where it can fall or be pulled into a tub or sink. Do not place in or drop into water or other liquid.
- Do not connect to any voltage other than that shown on the pump.
- Do not pump flammable liquids.
- Do not use water above 86°.

WARNING - To reduce the risk of burns, fire, electric shock or injury to persons:

- An appliance should never be left unattended when plugged in. Unplug from outlet when not in use and before putting on or taking off parts or attachments.
- Close supervision is necessary when this appliance is used by or near children, invalids or disabled persons.
- Use this appliance only for its intended use as described in this manual. Do not use attachments not recommended by HoMedics; specifically any attachments not provided with the unit.
- Never operate this appliance if it has a damaged cord, plug, pump, cable or housing. If it is not working properly, if it has been dropped or damaged, return it to Homedics Service Center for examination and repair.
- Keep cord away from heated surfaces.
- Never drop or insert any object into any opening.
- Do not operate where aerosol (spray) products are being used or where oxygen is being administered.
- Do not carry this appliance by supply cord or use cord as handle.
- To disconnect, remove plug from outlet.
- This appliance is designed for indoor use only. Do not use outdoors.

SAVE THESE INSTRUCTIONS

Caution – Please read all instructions carefully before operating.

- Never leave the appliance unattended, especially if children are present.
- Never cover the appliance when it is in operation.
- This unit should not be used by children without adult supervision.
- Connect the pump with the proper voltage as indicated on the pump label.
- Always keep the cord away from high temperature and fire.
- Unplug the pump from power source before cleaning, maintenance or disassembling.
- To get the best flowing effect, product must be placed on a flat surface and should never be placed on an electrical appliance.
- Never let pump run dry, as this will shorten the life of the pump.
- Do not lift, carry, hang, or pull the pump by the power cord.
- Operate with tap water or distilled water only.
- Operate pump completely submerged for proper cooling.
- The electrical cord of this product cannot be replaced. If it sustains damage, you must stop using this product immediately and return it to the HoMedics Service Center for repair. (See the warranty section for the HoMedics address.)
- Disconnect the appliance from electrical outlet before putting hands into water.

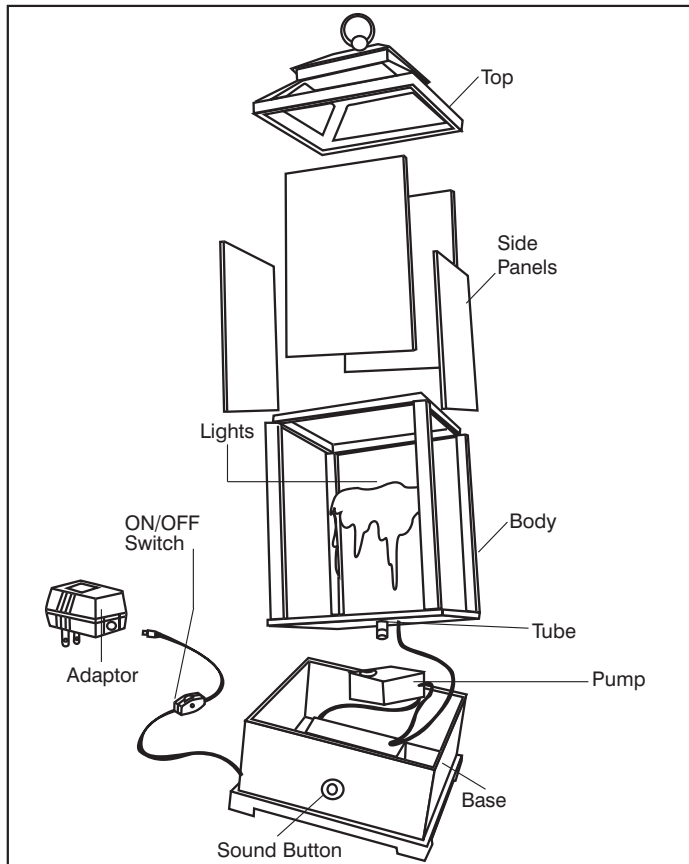
**CAUTION:
The pump must be completely submerged in water. If the pump is making noises, most likely it is not completely submerged in water.**

**CAUTION:
Only set the fountain and fountain parts on waterproof surfaces**

EnviraScape Features

- Unique LED lighting creates a realistic candlelight effect.
- Built-in sound machine with four soothing sounds.
- The soothing sound of cascading waters create a stress free ambiance.
- Improves concentration by masking distractions so you can stay focused.
- Innovative design enhances the environment at home or at work.
- Durable electrical water pump can be operated from any indoor electrical outlet.
- Convenient tabletop size - fountain measures 5.75"L x 5.75"W x 12"H (14.6 L x 14.6 W x 30.5 H cm).

Figure 1



4

Assembly and Instructions for Use

1. Unpack the product. Wipe off dust with a damp cloth.
2. Familiarize yourself with the pump. The pump speed is controlled by the switch located at the front of the pump. The speed is indicated by a plus (+) and minus (-) sign. To increase the speed, move the switch slowly in the direction of the plus sign. You will hear a click as the switch moves to each speed level. At its highest speed level, the switch will cease to move any further. To decrease the pump speed, move the switch toward the minus sign. Similarly, at its lowest speed, the switch will cease to move any further. **NOTE:** It is recommended the pump be set at its highest speed during assembly and later adjusted to a lower setting if desired. Be sure to unplug the pump before adjusting the speed setting.
3. Insert the tube located on the bottom side of the fountain body into the pump. (Fig. 2)
4. Fill base with tap water to 1/2" from top. We recommend using distilled water to prevent mineral build up (Fig. 3).
Note: We recommend filling the water from the sides of the base to protect the front sound button and the back volume dial from water spills.

Figure 2

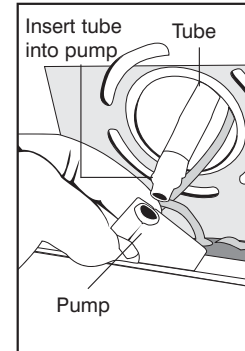
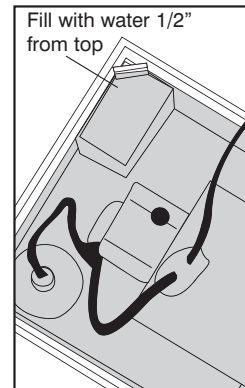


Figure 3



5

5. Set the fountain body onto the base so it sits level.
6. Slide each of the four clear side panels in to the slots provided on the fountain body. (Fig. 4)
7. Place the fountain top on the fountain body so it sits level. (Fig. 5)
8. Attach the A/C adaptor jack to the base power cord. DO NOT plug into outlet at this time (Fig. 1).
9. Set the fountain on a level, waterproof surface.
10. Plug the power cord into a 120V household outlet. The fountain & sound machine are controlled by the switch on the power cord. If fountain doesn't operate, rotate in-line switch once to turn "on" and once more to turn "off". NOTE: Unit power must be "ON" in order for both the fountain and sound machine to operate.
11. To use sounds, press the sound button on the front of the unit to begin playing the first sound. Continue to press the sound button to toggle through the three additional sounds. Note: A yellow indicator light will appear on the button to indicate the sounds are powered on. When you press the sound button a 5th time, the sounds will turn off. Note: The yellow indicator light will disappear on the button to indicate the sounds are powered off.
 - 1st Press: Sound Power On ("Dreamscape")
 - 2nd Press: ("Wind Chime")
 - 3rd Press: ("Mystique")
 - 4th Press: ("Sunrise")
 - 5th Press: Sound Power Off
12. The volume can be adjusted by turning the volume dial to the right to increase volume and to the left to decrease volume.
13. To turn fountain & sound machine completely off, turn the main power switch on the cord. NOTE: Main power switch must be used to turn unit completely on or off.
 - Fountain can be used independent of sound machine
 - Sound Machine can not be used without fountain water flowing.

Figure 4

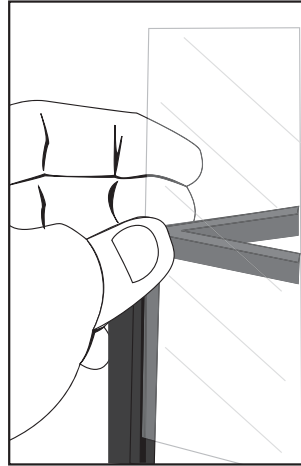
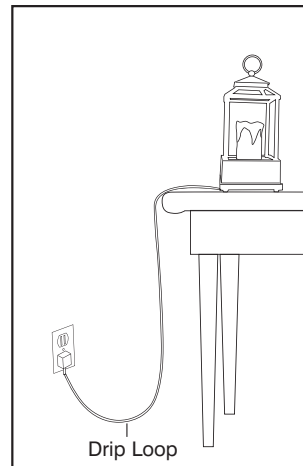


Figure 5



Caution:
All servicing of this fountain must be performed by authorized HoMedics service personnel only.

Attention:
In order to get best results, please operate pump completely submerged

Caution:
Always disconnect from electrical outlet before handling the pump

Maintenance

- **To keep water clean:**
Periodically change water and clean the product according to the water condition. Keeping the water clean prevents the water from becoming sticky and forming micro-organisms. We recommend distilled water to prevent mineral build-up.
- **To clean off hard water deposits on the base:**
Use a mixture of vinegar and water to clean and remove any mineral build-up on the base and pump. Monthly maintenance will add to your pump's life.
- **Keeping the water at an optimum level:**
Add water periodically to keep water level at an optimum level and to avoid shortening the life of the pump. NOTE: Never let the pump run dry.
- **Fountain Storage**
Unplug the fountain from the electrical outlet, empty the water, and store in a dry, cool place.

Troubleshooting

- **If the pump fails to operate, check the following:**
Check the circuit breaker, or try a different outlet to make sure the pump is getting electrical power. Always disconnect from electrical outlet before handling the pump. NOTE: Ensure that the electrical cord loops below the electrical outlet to form a 'Drip Loop' (Fig. 5). This will prevent water from running down the cord into the electrical outlet.
- **If the pump gurgles, spews, or "burps":**
Check the water level to make sure the pump has enough water to function.
- **Obtaining a desired water level:**
Check the water level daily the first week to measure the rate of evaporation; refill with water as needed.
- **If water is splashing outside the fountain:**
Adjust the flow control valve to a lower setting on the pump.



LIMITED ONE YEAR WARRANTY

HoMedics sells its products with the intent that they are free of defects in manufacture and workmanship for a period of one year from the date of original purchase, except as noted below. HoMedics warrants that its products will be free of defects in material and workmanship under normal use and service. This warranty extends only to consumers and does not extend to Retailers.

To obtain warranty service on your HoMedics product, mail the product and your dated sales receipt (as proof of purchase), postpaid, to the following address:

HoMedics Consumer Relations
Service Center Dept. 168
3000 Pontiac Trail
Commerce Township, MI 48390

No COD's will be accepted.

HoMedics does not authorize anyone, including, but not limited to, Retailers, the subsequent consumer purchaser of the product from a Retailer or remote purchasers, to obligate HoMedics in any way beyond the terms set forth herein. This warranty does not cover damage caused by misuse or abuse; accident; the attachment of any unauthorized accessory; alteration to the product; improper installation; unauthorized repairs or modifications; improper use of electrical/power supply; loss of power; dropped product; malfunction or damage of an operating part from failure to provide manufacturer's recommended maintenance; transportation damage; theft; neglect; vandalism; or environmental conditions; loss of use during the period the product is at a repair facility or otherwise awaiting parts or repair; or any other conditions whatsoever that are beyond the control of HoMedics.

This warranty is effective only if the product is purchased and operated in the country in which the product is purchased. A product that requires modifications or adoption to enable it to operate in any other country than the country for which it was designed, manufactured, approved and/or authorized, or repair of products damaged by these modifications is not covered under this warranty.

THE WARRANTY PROVIDED HEREIN SHALL BE THE SOLE AND EXCLUSIVE WARRANTY. THERE SHALL BE NO OTHER WARRANTIES EXPRESS OR IMPLIED INCLUDING ANY IMPLIED WARRANTY OF MERCHANTABILITY OR FITNESS OR ANY OTHER OBLIGATION ON THE PART OF THE COMPANY WITH RESPECT TO PRODUCTS COVERED BY THIS WARRANTY. HOMEDICS SHALL HAVE NO LIABILITY FOR ANY INCIDENTAL, CONSEQUENTIAL OR SPECIAL DAMAGES. IN NO EVENT SHALL THIS WARRANTY REQUIRE MORE THAN THE REPAIR OR REPLACEMENT OF ANY PART OR PARTS WHICH ARE FOUND TO BE DEFECTIVE WITHIN THE EFFECTIVE PERIOD OF THE WARRANTY. NO REFUNDS WILL BE GIVEN. IF REPLACEMENT PARTS FOR DEFECTIVE MATERIALS ARE NOT AVAILABLE, HOMEDICS RESERVES THE RIGHT TO MAKE PRODUCT SUBSTITUTIONS IN LIEU OF REPAIR OR REPLACEMENT.

This warranty does not extend to the purchase of opened, used, repaired, repackaged and/or resealed products, including but not limited to sale of such products on Internet auction sites and/or sales of such products by surplus or bulk resellers. Any and all warranties or guarantees shall immediately cease and terminate as to any products or parts thereof which are repaired, replaced, altered, or modified, without the prior express and written consent of HoMedics.

This warranty provides you with specific legal rights. You may have additional rights which may vary from country to country. Because of individual country regulations, some of the above limitations and exclusions may not apply to you.

For more information regarding our product line in the USA, please visit: www.homedics.com

Mail To:

HoMedics
Consumer Relations
Service Center Dept. 168
3000 Pontiac Trail
Commerce Township, MI
48390

e-mail:
cservice@homedics.com

FUENTE DE RELAJACIÓN PARA MESA **enviraScape™**

FAROL RÚSTICO



Manual de instrucciones e Información de garantía

WFL-CANRUS

1 año de garantía limitada



Los sonidos de la naturaleza alivian la naturaleza humana. Gracias por comprar EnviraScape, la fuente de relajación para mesa de HoMedics. Éste, al igual que toda la línea de productos HoMedics, está fabricado con mano de obra de alta calidad para brindarle años de servicio confiable. Esperamos que lo encuentre como el mejor producto de su clase.

EnviraScape le permite crear un ambiente completo con sonido. El sonido del agua que cae en cascada realiza su ambiente liberando iones negativos e incentivando la relajación. Sólo EnviraScape le ofrece el lujo de estos beneficios vitales con un creativo diseño que agrega belleza a cualquier ambiente interior.

IMPORTANTES INSTRUCCIONES DE SEGURIDAD:

Cuando utiliza un artefacto eléctrico, siempre se deben seguir ciertas precauciones básicas, incluyendo lo siguiente:

LEA TODAS LAS INSTRUCCIONES ANTES DE USAR

PELIGRO

- Para reducir el riesgo de choque eléctrico:

- Siempre desenchufe el artefacto del tomacorriente, inmediatamente después de usar y antes de limpiarlo.
- No intente tomar un artefacto que haya caído al agua. Desenchúfelo de inmediato.
- No coloque ni guarde el artefacto en un lugar donde pueda caerse o ser tirado hacia una tina o pileta. No lo coloque ni lo deje caer en agua ni en ningún otro líquido.
- No lo conecte a ningún otro voltaje que no sea que el se muestra en la bomba.
- No bombee líquidos inflamables.
- No use agua a una temperatura superior a los 86°.

ADVERTENCIA - Para reducir el riesgo de quemaduras, incendio, choque eléctrico o lesiones a las personas:

- Un artefacto nunca debe ser dejado sin atención cuando está enchufado. Desenchúfelo del tomacorriente cuando no lo esté usando y antes de colocar o quitar piezas o accesorios.
- Es necesaria una supervisión estricta cuando lo usan niños o personas inválidas o incapacitadas o cuando está próximo a ellos.
- Utilice este artefacto sólo para el uso para el cual fue diseñado y como se describe en este manual. No use accesorios no recomendados por HoMedics, particularmente accesorios no proporcionados con la unidad.
- Nunca haga funcionar este aparato si tiene el cordón, el enchufe, la bomba el cable o el armazón dañado. Si no está funcionando adecuadamente, si se ha caído o dañado, envíelo al Centro de servicio de HoMedics para que sea examinado y reparado.
- Mantenga el cable alejado de superficies calientes.
- Nunca lo deje caer ni inserte ningún objeto en ninguna abertura.
- No lo haga funcionar donde se utilizan productos de rociado por aerosol o donde se está administrando oxígeno.
- No lleve este artefacto tomado del cable, ni use el cable como manija.
- Para desconectarlo, quite el enchufe del tomacorriente.
- Este artefacto está diseñado únicamente para usarlo en interiores. No lo use en exteriores.

PRECAUCIÓN:
La bomba debe estar totalmente sumergida en agua. Si la bomba hace ruido, lo más probable es que no esté totalmente sumergida en el agua.

PRECAUCIÓN:
Coloque la fuente y las piezas de la fuente únicamente sobre superficies impermeables.

GUARDE ESTAS INSTRUCCIONES

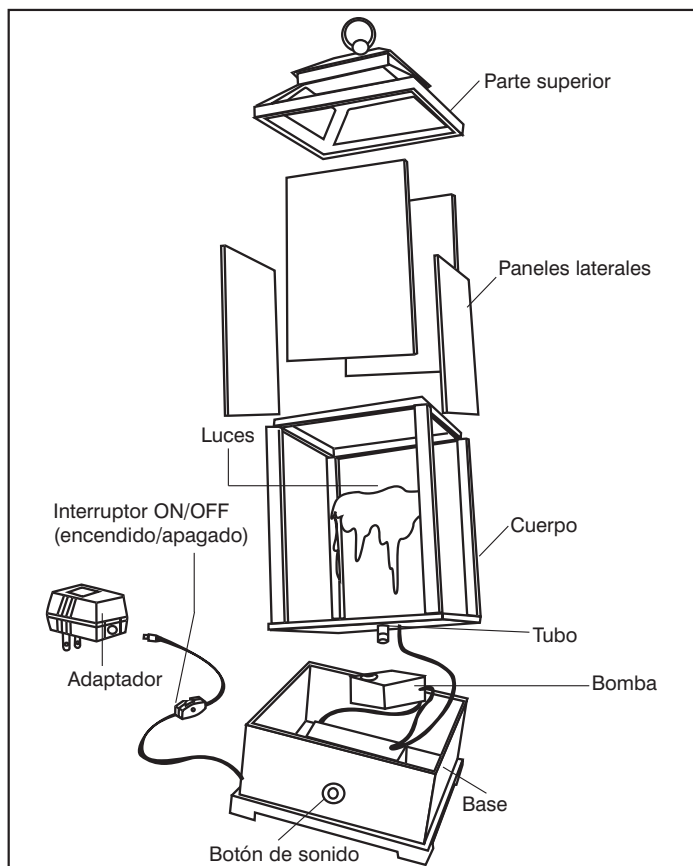
Precaución – Sírvase leer todas las instrucciones con atención antes de poner en funcionamiento.

- Nunca deje el artefacto sin vigilancia, especialmente si hay niños presentes.
- Nunca cubra el artefacto mientras está en funcionamiento.
- Esta unidad no debe ser usada por niños sin la supervisión de un adulto.
- Conecte la bomba con el voltaje adecuado según se indica en la etiqueta de la bomba.
- Siempre mantenga el cordón alejado de llamas y temperaturas altas.
- Desenchufe la bomba de la fuente de energía antes de limpiar, realizar el mantenimiento o desarmar.
- Para obtener el mejor efecto de flujo, se debe colocar el producto sobre una superficie plana y nunca se lo debe colocar sobre un artefacto eléctrico.
- Nunca deje que la bomba funcione sin agua, ya que esto acortará la vida de la bomba.
- No levante, lleve, cuelgue ni tire de la bomba tomándola del cable de corriente.
- Hágala funcionar únicamente con agua del grifo o con agua destilada.
- Haga funcionar la bomba completamente sumergida para lograr un enfriamiento adecuado.
- El cable de corriente de este producto no puede ser reemplazado. Si presenta daños, debe dejar de usar este producto de inmediato y enviarlo al Centro de servicio de HoMedics para su reparación. (Consulte en la sección de garantía la dirección de HoMedics.)
- Desconecte el artefacto del tomacorriente eléctrico antes de poner las manos en el agua.

Características de EnviraScape

- La iluminación LED exclusiva crea un efecto real de luz de vela.
- Máquina de sonido incorporada, con 4 sonidos relajantes.
- El relajante sonido de cascada de agua crea un ambiente sin estrés.
- Mejora la concentración silenciando las distracciones para que pueda concentrarse.
- El diseño innovador realza el ambiente en su hogar o en el trabajo.
- La duradera bomba de agua eléctrica se puede hacer funcionar desde cualquier tomacorriente eléctrico de interiores.
- Práctico tamaño para la mesa: la fuente mide 5,75" de largo x 5,75" de ancho x 12" de altura (14,6 cm x 14,6 cm x 30,5 cm).

Figura 1



12

Armado e instrucciones de uso

1. Desempaque el producto. Quite el polvo con un paño húmedo.
2. Familiarícese con la bomba. La velocidad de la bomba es controlada por el interruptor ubicado en la parte delantera de la bomba. La velocidad está indicada por un signo de más (+) y uno de menos (-). Para aumentar la velocidad, mueva el interruptor lentamente en la dirección del signo de más. Escuchará un clic cuando el interruptor pase al siguiente nivel de velocidad. A su nivel máximo de velocidad, el interruptor se detendrá. Para disminuir la velocidad de la bomba, mueva el interruptor hacia el signo de menos. De la misma forma, en su velocidad menor, el interruptor se detendrá. **NOTA:** Se recomienda que la bomba se fije a su máxima velocidad durante el armado y luego se ajuste a una velocidad menor si así se desea. Asegúrese de desenchufar la bomba antes de ajustar el valor de la velocidad.
3. Introduzca en la bomba el tubo que se encuentra en el lado inferior del cuerpo de la fuente. (Fig. 2)
4. Llene la base con agua del grifo hasta 1/2" (1,3 cm) del borde superior. Recomendamos usar agua destilada para evitar la acumulación de minerales (Fig. 3).

Nota: Recomendamos llenar con agua desde los lados de la base, para proteger el botón de sonido frontal y el dial del volumen trasero contra los derrames de agua.

Figure 2

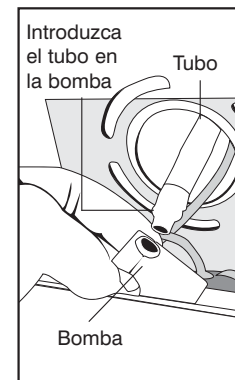
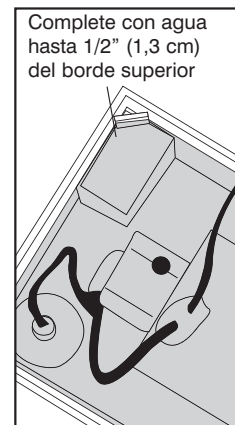


Figura 3



13

5. Coloque el cuerpo de la fuente en la base para que quede nivelado.
6. Deslice cada uno de los cuatro paneles laterales transparentes en las ranuras que se encuentran en el cuerpo de la fuente. (Fig. 4)
7. Coloque la parte superior de la fuente en el cuerpo de la fuente, para que quede nivelada. (Fig. 5)
8. Conecte el receptáculo del adaptador de C/A al cable de corriente de la base. NO enchufe al tomacorriente en este momento (Fig. 1).
9. Coloque la fuente sobre una superficie nivelada e impermeable.
10. Enchufe el cable a un tomacorriente domiciliario de 120V. La fuente y la máquina de sonido se controlan mediante el interruptor ubicado en el cable de corriente. Si la fuente no funciona, gire el interruptor en línea una vez para "encender" y una vez más para "apagar". NOTA: La corriente de la unidad debe estar encendida ("ON") a fin de que funcionen tanto la fuente como la máquina de sonido.
11. Para usar los sonidos, presione el botón de sonido en el frente de la unidad para que comience a reproducir el primer sonido. Continúe presionando el botón de sonido para ir pasando a los otros 3 sonidos. Nota: Aparecerá una luz indicadora amarilla en el botón para indicar que los sonidos están encendidos. Cuando presione el botón por 5ª vez, los sonidos se apagarán. Nota: La luz indicadora amarilla en el botón desaparecerá, para indicar que los sonidos están apagados.
 - 1ª vez que presiona: se enciende el sonido "Dreamscape"
 - 2ª vez que presiona: "Wind Chime"
 - 3ª vez que presiona: "Mystique"
 - 4ª vez que presiona: "Sunrise"
 - 5ª vez que presiona: se apaga el sonido
12. El volumen se puede ajustar girando el dial de volumen a la derecha para subirlo y a la izquierda para bajarlo.
13. Para apagar por completo la fuente y la máquina de sonido, apague el interruptor de energía principal que está en el cable. NOTA: Se debe usar el interruptor de energía principal para apagar o encender por completo la unidad.
 - La fuente puede usarse independientemente de la máquina de sonido.
 - La máquina de sonido no se puede usar sin que fluya el agua de la fuente.

Figura 4

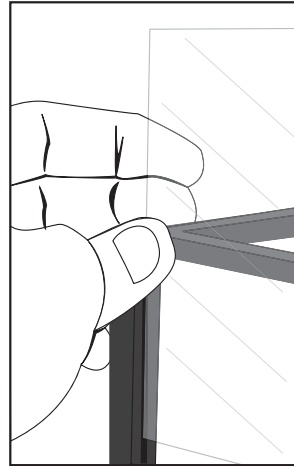
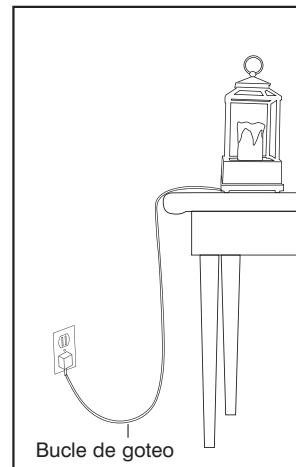


Figura 5



Precaución:
Todo el servicio de esta fuente debe ser realizado únicamente por personal de servicio autorizado de HoMedics

Atención:
Para obtener mejores resultados haga funcionar la bomba totalmente sumergida.

Precaución:
Siempre desconecte la bomba del tomacorriente eléctrico antes de manipularla.

Mantenimiento

- **Para mantener el agua limpia:**
 Cambie el agua periódicamente y limpie el producto de acuerdo a la condición del agua. Mantener el agua limpia evita que la misma se vuelva pegajosa y que se formen microorganismos. Recomendamos agua destilada para evitar la acumulación de minerales.
- **Para limpiar los depósitos de agua dura de la base:**
 Use una mezcla de vinagre y agua para limpiar y quitar cualquier acumulación mineral en la base y la bomba. El mantenimiento mensual alargará la vida de su bomba.
- **Mantenimiento del agua a un nivel óptimo:**
 Agregue agua en forma periódica para mantener el agua en un nivel óptimo y evitar que la vida de la bomba se vea reducida. NOTA: Nunca deje que la bomba funcione sin agua.
- **Guardado de la fuente:**
 Desenchufe la fuente del tomacorriente eléctrico, quite el agua y guarde en un lugar seco y fresco.

Diagnóstico y resolución de problemas

- **Si la bomba no funciona, verifique lo siguiente:**
 Revise el disyuntor o enchufe la unidad en otro tomacorriente para asegurarse de que la bomba está recibiendo corriente. Siempre desconecte la bomba del tomacorriente eléctrico antes de manipularla. NOTA: Asegúrese de que el cable de corriente cuelgue por debajo del tomacorriente eléctrico para formar un "bucle de goteo" (Fig. 5). Esto evitará que el agua pueda correr por el cable hacia el tomacorriente.
- **Si la bomba gorgotea, "vomita" o "eructa":**
 Revise el nivel del agua para asegurar que la bomba tenga suficiente agua para funcionar.
- **Cómo lograr el nivel de agua deseado:**
 Revise diariamente el nivel de agua en la primera semana para medir la velocidad de evaporación, agregue agua según sea necesario.
- **Si el agua salpica fuera de la fuente:**
 Ajuste la válvula de control de flujo en una configuración más baja en la bomba.