

EUPHORIA

WFL-540

You no longer have to journey for a relaxing natural experience. A Mirra soothing fountain from HoMedics lets you connect to that same elemental calm by bringing the sounds of the outdoors into your personal setting. The running water puts your mind at ease on a subconscious level, allowing you to regroup and retreat from the busy world. And the fountain's pleasing shape and surrounding stones remind us of what's important. Eternal. Unchanging.

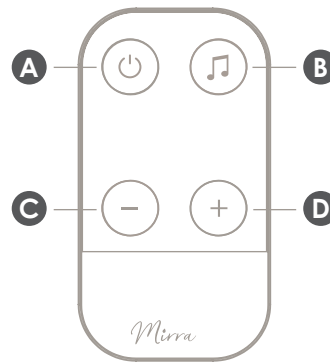
Register your FOUNTAIN

Registering your fountain secures the benefits of your warranty (even if you lose your receipt). It also makes it easier for us to assist you if you ever have an issue with your product.

www.homedics.com/product-registration

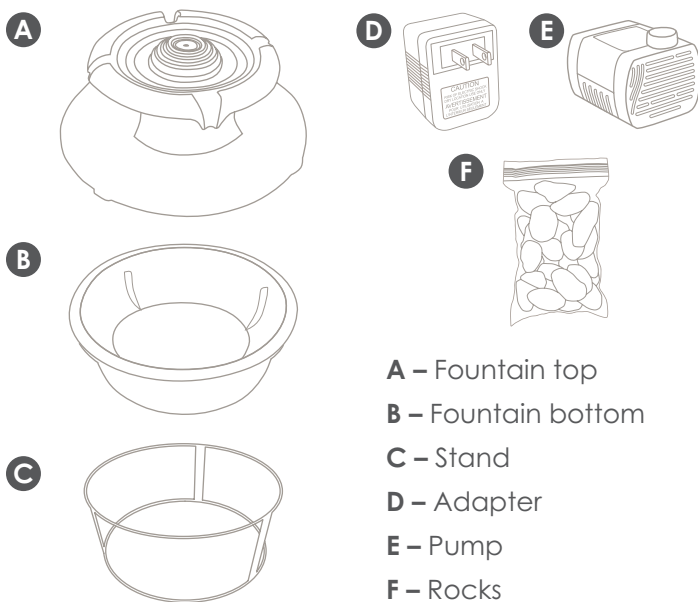


REMOTE



- A – Power
- B – Music
- C – Volume down
- D – Volume up

PARTS AND PIECES



UNIQUE FEATURES AND SPECIFICATIONS

Natural water sounds

Soothing sounds create a relaxing ambience.

Unique lighting

Warm glow enhances any environment.

Convenient tabletop size

7.5" x 7.5" x 6.75" for an easy fit on most surfaces.

Adapter voltage

120 VAC, 60Hz

Four relaxation sounds

Help you concentrate or unwind.

HOW TO USE

Instructions

1. Familiarize yourself with the pump. The switch located on the front of the pump controls the pump speed. The speed is indicated by a plus (+) and minus (-) sign. To increase the speed, move the switch slowly to the left in the direction of the plus sign. At its highest speed level, the switch will cease to move any farther. To decrease the pump speed, move the switch to the right toward the minus sign. At its lowest speed, the switch will cease to move any farther.
2. Connect the male and female parts and twist cap tightly.
3. Insert the tube into the pump.
4. Fill the base with clean water up to the fill line. Keep the water filled to the suggested level at all times for optimum performance.
5. Set the fountain top onto the base.
6. Rinse the rocks with water. Arrange the rocks on the platform.
7. Attach the AC adapter jack to the power cord. DO NOT plug into an outlet at this time.
8. Set the fountain on a level, waterproof surface.
9. Magnets inside the remote allow you to store it on the stand when not in use.
10. Plug the cord into a 120-volt household outlet. The switch located on the power cord controls the fountain. If the pump doesn't operate, click the power button once to turn the fountain on and once more to turn it off.

NOTE: Ensure that the electrical cord loops below the electrical outlet to form a "drip loop." This will prevent water from running down the cord into the electrical outlet.

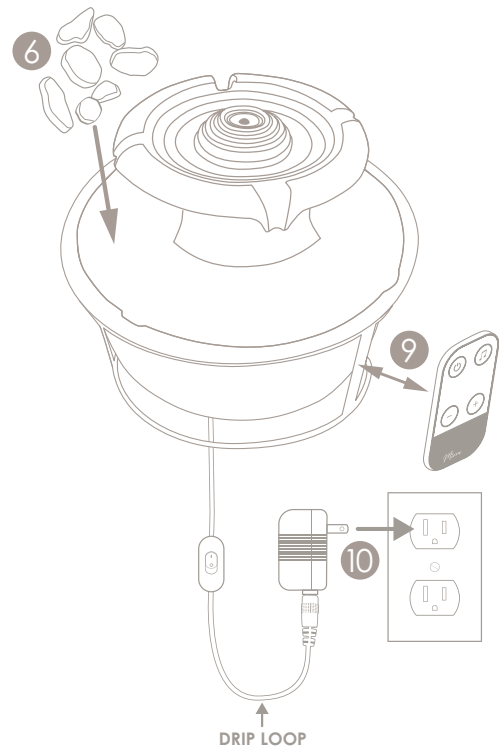
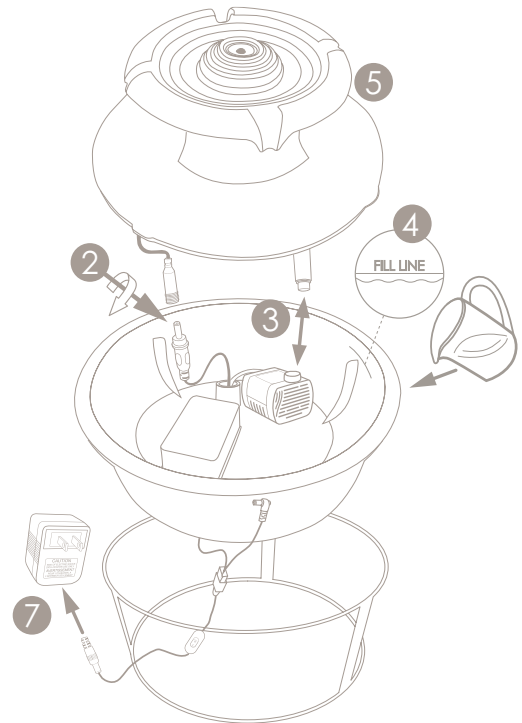
11. **For the best results, operate with the pump completely submerged. Keep the water level at the fill line at all times.**

MUSIC

Press  to turn the music on. Press  once to switch to the next track. Press  to turn music off.

TO CLEAN

1. To clean the pump: Unplug from electrical outlet. Use a small brush or stream of water to remove any debris.
2. To keep water clean: Periodically change water and clean the product according to the water condition. Over time, fountain water and the fountain itself become dirty. We suggest cleaning and exchanging water weekly to increase the longevity of the fountain.
3. To clean off hard water deposits on the base: Soak the base in a mixture of vinegar and water to clean and remove any mineral buildup.
4. Keep water at an optimum level: Add water periodically to keep it at an optimum level to avoid shortening the life of the pump. Never let the pump run dry.
5. Fountain storage: Unplug the fountain from the electrical outlet, empty the water, dry the fountain, and store rocks and fountain in a cool, dry place.



WHEN USING ELECTRICAL PRODUCTS, ESPECIALLY WHEN CHILDREN ARE PRESENT, BASIC SAFETY PRECAUTIONS SHOULD ALWAYS BE FOLLOWED, INCLUDING THE FOLLOWING:

READ ALL INSTRUCTIONS BEFORE USING.

- Always place fountain on a firm, flat surface. Due to the imperfect edges that are inherent to our natural stone fountains, water may splash outside the base of the unit. Therefore, we strongly recommend that you place your fountain and fountain parts on a waterproof surface or that you cover the surface with a waterproof barrier.
- DO NOT place on any surface that can be damaged by water.
- DO NOT reach for a unit that has fallen into water. Unplug it immediately.
- DO NOT place or drop into water or other liquids.
- DO NOT use water above 86°F.
- Use this unit only for its intended purpose as described in this document, the Quick-Start Guide and User Guide.
- DO NOT use attachments not recommended by MIRRA or HoMedics; specifically, any attachments not provided with this unit.
- NEVER drop or insert any object into any opening.
- DO NOT place the fountain near heat sources, such as a stove.
- Always keep the cord away from high temperature and fire.
- To disconnect, turn all controls to the off position, then remove the plug from the outlet.
- DO NOT use outdoors. For indoor use only.
- Never cover the unit while it is operating.
- Perform regular maintenance on the fountain.
- Never use detergent to clean the fountain.
- Never clean the fountain by scraping with a hard object.
- DO NOT attempt to adjust or repair the unit. Servicing must be performed by professional, qualified personnel.
- Stop using this unit if there is an unusual noise or smell.
- Unplug this unit when not in use for a long period of time.
- DO NOT clean, adjust, or move the fountain, or place hands into the water of the fountain without first unplugging it from the electrical outlet.
- Keep this unit out of reach of children.
- Never let the pump run dry, as this will shorten the life of the pump.
- Operate pump completely submerged for proper cooling.
- To ensure quiet operation of pump, you must rinse off all surfaces of your fountain, including the rocks (if provided with your model) before using the first time. Any dirt or residue that remains on the fountain surface may obstruct the water flow through your pump, thereby causing unnecessary noise.
- DO NOT carry this appliance by the power cord or use the cord as a handle.
- Operate with tap or distilled water.
- The pump must be completely submerged in water. If the pump is making noises, most likely it is not completely submerged in water.
- The electric cord of this product cannot be replaced. If it sustains damages, you must stop using the product immediately and contact MIRRA Consumer Relations (see Warranty section for Consumer Relations contact information).

CONTACT US

Questions or concerns? We're here to help. Contact a Consumer Relations representative by phone or email to help answer any questions. Please be sure to have the model number of your product available.

For service in the USA

email: cservice@homedics.com
phone: 1-800-466-3342
8:30 am–7:00 pm EST Monday–Friday

For service in Canada

email: cservice@homedicsgroup.ca
phone: 1-888-225-7378
8:30 am–5:00 pm EST Monday–Friday

1-YEAR LIMITED WARRANTY

For detailed warranty instructions, visit www.homedics.com.

To obtain warranty service on your Mirra product, contact a Consumer Relations representative by the telephone number or email address for your country of residence. Please make sure to have the model number of the product available.

For service in the USA

email: cservice@homedics.com
phone: 1-800-466-3342
8:30 am–7:00 pm EST Monday–Friday

For service in Canada

email: cservice@homedicsgroup.ca
phone: 1-888-225-7378
8:30 am–5:00 pm EST Monday–Friday

FCC AND IC STATEMENTS

This device complies with Part 15 of the FCC Rules. Operation is subject to the following two conditions: (1) This device may not cause harmful interference, and (2) This device must accept any interference received, including interference that may cause undesired operation.

This equipment has been tested and found to comply with the limits for a Class B digital device, pursuant to Part 15 of the FCC Rules and CAN ICES-3 (B) /NMB-3 (B). These limits are designed to provide reasonable protection against harmful interference in a residential installation.

This equipment generates, uses, and can radiate radio frequency energy and, if not installed and used in accordance with the instructions, may cause harmful interference to radio communications.

However, there is no guarantee that interference will not occur in a particular installation.

If this equipment does cause harmful interference to radio or television reception, which can be determined by turning the equipment off and on, the user is encouraged to try to correct the interference by one or more of the following measures:

- Reorient or relocate the receiving antenna.
- Increase the separation between the equipment and receiver.
- Connect the equipment into an outlet on a circuit different from that to which the receiver is connected.
- Consult the dealer or an experienced radio/TV technician for help.

Changes or modifications not expressly approved by HoMedics could void the user's authority to operate this equipment.

This product has been tested and complies with the requirements for Federal Communication Commission, Part 18 and CAN ICES-1/NMB-1. Although this product is tested and complies with FCC, it may interfere with other devices. If this product is found to interfere with another device, separate the other device and this product. Conduct only the user maintenance found in this instruction manual. Other maintenance and servicing may cause harmful interference and can void the required FCC compliance.

IB-WFL540 | ©2018 HoMedics, LLC.

All rights reserved. | Tous droits réservés. | Todo derechos reservados.

Mirra is a trademark of HoMedics, LLC. | HoMedics is a registered trademark of HoMedics, LLC.

To register your product, visit us online.