



**HoMedics Service Center**  
1.800.466.3342  
8:30 – 5:00 p.m.  
(hora del ESTE )  
de lunes a viernes

**Dirección postal:**  
**HoMedics**  
**Service Center Dept. 168**  
**3000 Pontiac Trail**  
**Commerce Township, MI**  
**48390**

**Correo electrónico:**  
**cservice@homedics.com**

HoMedics vende sus productos con la intención de que no tengan defectos de fabricación ni de mano de obra por un plazo de dos años a partir de la fecha de compra original, con las siguientes excepciones. HoMedics garantiza que sus productos no tendrán defectos de material ni de mano de obra bajo condiciones de uso y servicio normales. Esta garantía se extiende únicamente a consumidores y no a distribuidores.

Para obtener servicio para su producto HoMedics, envíe por correo el producto y su recibo de compra fechado (como comprobante de compra), con franqueo pago, a la siguiente dirección:

HoMedics Consumer Relations  
Service Center Dept. 168  
3000 Pontiac Trail  
Commerce Township, MI 48390

No se aceptarán pagos contra entrega.

HoMedics no autoriza a nadie, incluyendo, pero sin limitarse a, distribuidores, posteriores consumidores compradores del producto a un distribuidor, o compradores remotos, a obligar a HoMedics de forma alguna más allá de las condiciones aquí establecidas. La garantía de este producto no cubre daños causados por uso inadecuado o abuso, accidente, conexión de accesorios no autorizados, alteración del producto, instalación inadecuada, reparaciones o modificaciones no autorizadas, uso inadecuado de la fuente de energía/electricidad, cortes de energía, caída del producto, funcionamiento incorrecto o daño de una pieza de funcionamiento debido al no cumplimiento del mantenimiento recomendado por el fabricante, daños durante el transporte, robo, descuido, vandalismo, condiciones climáticas, pérdida de uso en el período durante el cual el producto está en una instalación de reparación o a la espera de piezas o reparación, o cualquier otra condición, sin importar cual sea, que se encuentre fuera del control de HoMedics.

Esta garantía es válida únicamente si el producto es comprado y operado en el país en el cual se compró el producto. Un producto que requiera modificaciones o adaptación para habilitar su funcionamiento en cualquier país que no sea aquél para el que fue diseñado, fabricado, aprobado y/o autorizado, o la reparación de productos dañados por estas modificaciones no están cubiertos bajo esta garantía.

LA GARANTÍA AQUÍ ESTABLECIDA SERÁ LA ÚNICA Y EXCLUSIVA GARANTÍA. NO HABRÁ NINGUNA OTRA GARANTÍA EXPRESA NI IMPLÍCITA, INCLUYENDO NINGUNA GARANTÍA DE COMERCIALIZACIÓN O APTITUD NI NINGUNA OTRA OBLIGACIÓN POR PARTE DE LA COMPAÑÍA CON RESPECTO A PRODUCTOS CUBIERTOS POR ESTA GARANTÍA. HOMEDICS NO TENDRÁ RESPONSABILIDAD ALGUNA POR NINGÚN DAÑO INCIDENTAL, CONSECUENTE NI ESPECIAL. BAJO NINGÚN CONCEPTO ESTA GARANTÍA REQUERIRÁ MÁS QUE LA REPARACIÓN O CAMBIO DE ALGUNA PIEZA O PIEZAS QUE SE HALLEN DEFECTUOSAS DENTRO DEL PERÍODO DE VIGENCIA DE ESTA GARANTÍA. NO SE EFECTUARÁN REEMBOLSOS. SI NO HAY PIEZAS DE REPUESTO DISPONIBLES PARA LOS MATERIALES DEFECTUOSOS, HOMEDICS SE RESERVA EL DERECHO DE REALIZAR SUSTITUCIONES EN VEZ DE REPARAR O CAMBIAR.

Esta garantía no se extiende a la compra de productos abiertos, usados, reparados, embalados otra vez y/o abiertos y vueltos a cerrar, incluyendo entre otras cosas la venta de dichos productos en sitios de remate por Internet y/o la venta de dichos productos por revendedores o mayoristas. Todas y cada una de las garantías cesarán y terminarán inmediatamente con respecto a cualquier producto o pieza del mismo que estén reparados, cambiados, alterados o modificados sin el consentimiento previo explícito y por escrito de HoMedics.

Esta garantía le proporciona derechos legales específicos. Es posible que usted tenga derechos adicionales que pueden variar de un país a otro. Debido a las regulaciones de ciertos países, es posible que algunas de las limitaciones y exclusiones no se apliquen en su caso.

Por más información con respecto a nuestra línea de productos en los EE.UU., visítenos en:  
[www.homedics.com](http://www.homedics.com)



**Instruction Manual and  
Warranty Information**

AG-4000TL

©2006-2008 HoMedics, Inc. y sus compañías afiliadas, reservados todos los derechos. HoMedics® es una marca registrada de HoMedics Inc. y sus compañías afiliadas. Reservados todos los derechos.  
IB-AG4000TLB

**2 años**  
**garantía limitada**

**El manual**  
**en español**  
**empieza a la**  
**página 15**

**2 year**  
**limited warranty**



## A NOTE FROM TONY LITTLE

My commitment is to you the customer and always will be. I will always do my best to bring you innovative, useful, quality of life enhancing products that cover all categories of health fitness and wellness.

Enjoy life, Believe in Yourself and Always Go For It!

  
America's Personal Trainer®

## IMPORTANT SAFEGUARDS

WHEN USING ELECTRICAL PRODUCTS, ESPECIALLY WHEN CHILDREN ARE PRESENT, BASIC SAFETY PRECAUTIONS SHOULD ALWAYS BE FOLLOWED, INCLUDING THE FOLLOWING:

READ ALL INSTRUCTIONS BEFORE USING

### DANGER - TO REDUCE THE RISK OF ELECTROCUTION:

- ALWAYS unplug the appliance from the electrical outlet immediately after using and before cleaning.
- DO NOT reach for an appliance that has fallen into water. Unplug it immediately.
- DO NOT use while bathing or showering.

### WARNING - TO REDUCE THE RISK OF BURNS, ELECTROCUTION, FIRE OR INJURY TO PERSONS:

- An appliance should never be left unattended when plugged in. Unplug from outlet when not in use and before putting on or taking off parts or attachments.
- Close supervision is necessary when this appliance is used by, on or near children, invalids or disabled persons.
- Use this appliance only for its intended use as described in this manual. Do not use attachments not recommended by HoMedics; specifically any attachments not provided with the unit.
- NEVER operate this appliance if it has a damaged cord or plug, if it is not working properly, if it has been dropped or damaged, or dropped into water. Return it to HoMedics Service Center for examination and repair.
- NEVER use pins or other metallic fasteners with this appliance.

**Please Note:  
Hands and fingers should rest comfortably on top of arm rests. When moving the recliner between resting positions, fingers can be pinched if placed into the areas of the leg noted on the yellow caution sticker. (See yellow caution sticker on recliner legs.)**

- Keep cord away from heated surfaces.
- NEVER use while sleeping or fall asleep while using the massager.
- NEVER drop or insert any object into any opening.
- DO NOT operate where aerosol (spray) products are being used or where oxygen is being administered.
- DO NOT operate under a blanket or pillow. Excessive heating can occur and cause fire, electrocution or injury to persons.
- DO NOT carry this appliance by supply cord or use cord as handle.
- To disconnect, turn all controls to the "OFF" position, then remove plug from outlet.
- This appliance is designed for household use only.
- This appliance is designed for personal, non-professional use only. This appliance should be used only for personal, non-professional uses.

## SAVE THESE INSTRUCTIONS

**Caution — Please read all instructions carefully before operating.**

- This product is not intended for medical use. It is intended only to provide a luxurious massage.
- If you have any concerns regarding your health consult your doctor before using this product.
- Individuals with pacemakers should consult a doctor before use.
- NEVER leave the appliance unattended, especially if children are present.
- NEVER cover the appliance when it is in operation.
- DO NOT use this product for more than 60 minutes at a time.
- Extensive use could lead to the products excessive heating and shorter life. Should this occur, discontinue use and allow the unit to cool before operating.
- NEVER use this product directly on swollen or inflamed areas or skin eruptions.
- DO NOT use this product before bed. The massage has a stimulating effect and can delay sleep.
- NEVER use this product while in bed.
- This product should NEVER be used by any individual suffering from any physical ailment that would limit the user's capacity to operate the controls.
- This product should never be used by any individual suffering from any ailments that would limit or altogether inhibit the user's capacity to feel or have any sensation in the body part that the product is being used on.
- This unit should not be used by children or invalids without adult supervision.

**Important Notice:**  
**If you experience any type of distortion or noise interference when turning the unit to the ON position, immediately turn the unit off. Wait a few seconds before turning the unit on and distortion/interference should be eliminated.**

## 1. Assembly Instructions/Components:

Carefully remove all contents from packaging and inspect the product to make sure all components of the recliner have been received. These should include:

- Left side frame (A)
- Right side frame with hand control pouch (B)
- Crossbars (2) (C)
- Back and leg frames (D) (E)
- Bolt caps/nuts and washers (8) (F)
- Large bolts (8) (G)
- Wrenches (3) (H)
- AC adaptor (I)
- Wood caps (J)

See Figure 1.

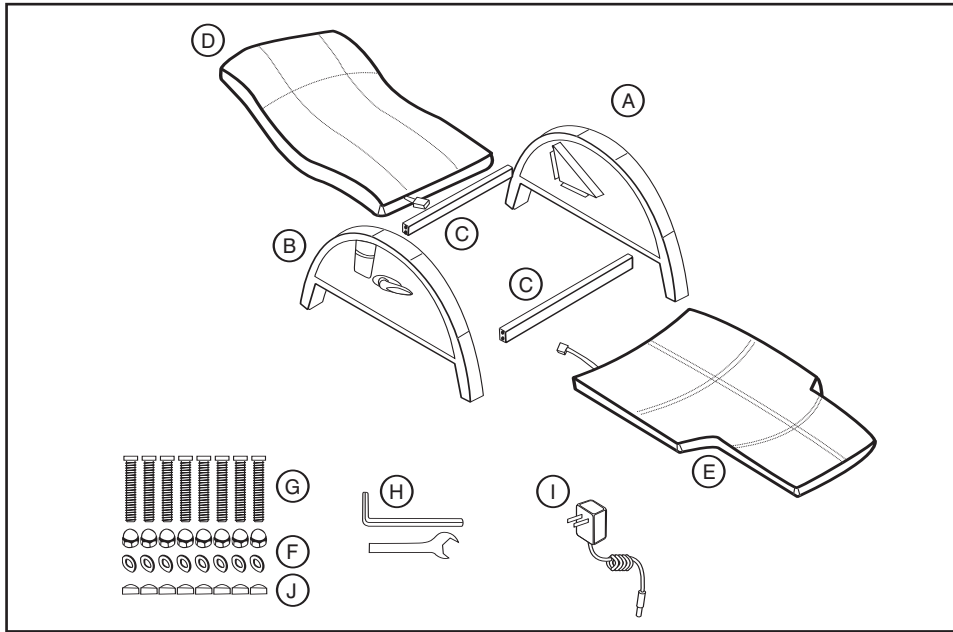


Figure 1

## 2. Assemble Chair Base

Figure 2A

- Attach both crossbars to the left frame. Make sure to match the corresponding number on the crossbar to the number on the frame.
- Insert the large bolts and tighten partially with the Allen wrench.

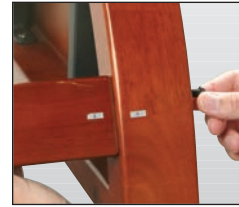


Figure 2A

Figure 2B/3

- Attach both crossbars to the right frame, matching the corresponding numbers.
- Insert the large bolts and tighten partially with Allen wrench.

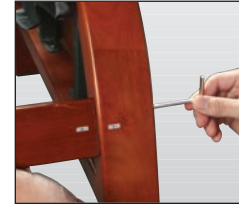


Figure 2B



Figure 3

## 3. Attach Seat/Leg Frame to Base

Figure 4

- On a soft or carpeted surface turn frame upside down.
- Slide Seat frame under the crossbar. Align the Seat frame with pre-attached bolts to the frame, be sure to match the corresponding numbers.



Figure 4

Figure 5/5A

- Place a washer and nut on each bolt to secure the seat to Chair Base. Use wrench to tighten partially.



Figure 5

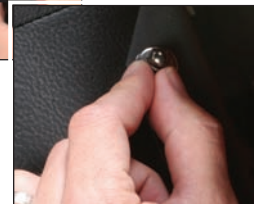


Figure 5A

## 4. Attach Back Frame to Base

**Figure 7A/7B/8**

- Flip chair back into the regular position.
- Slide the Back of the chair into the frame, matching the corresponding numbers.



**Figure 7A**



**Figure 7B**



**Figure 8**

**Figure 9**

- From the back side add washer and screw on all bolts to secure the Back to the Chair Base.
- Completely tighten all nuts and bolts on the entire chair.



**Figure 9**

## 5. Final Steps

**Figure 10**

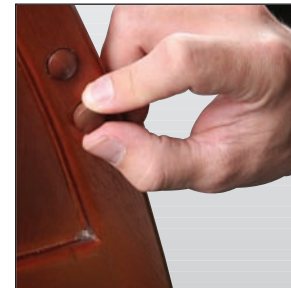
- Firmly insert the connector from the bottom of the back cushion to the connector on the seat cushion as shown in Figure 10.



**Figure 10**

**Figure 11**

- Install Wood Plugs into each of the Bolt Holes.
- Remove number stickers from chair frame.



**Figure 11**

## Instructions for Inversion Massage Recliner Use

Your Inversion Massage recliner is designed to provide relaxation in a variety of positions utilizing the easy lock levers on each side of the armrests. The ideal position for optimum relaxation is one in which the feet are above the heart.

**NOTE: The Spa Inversion Massage recliner design has a weight limit of 350 pounds. Persons exceeding this body weight should not use this recliner.**

- Before sitting in the Inversion Massage recliner, be sure it is in the complete upright position by unlocking the levers and pulling the backrest forward until it stops.
- Lock the recliner into the upright position by pushing the levers forward toward the footrest.
- Sit in the chair, unlock the recliner levers, and lean back slowly. Sitting all the way back in the seat will make it easier to recline. To adjust the angle of the chair, hold on to the armrests and lean back or forward until you reach the desired position. Lock the position into place by pulling the levers back towards your head.
- The footrest may be raised by pulling it upward. Each position will sound with a click. To lower the footrest, raise it until it stops and then push it back towards the floor.
- Before getting out of the Spa Inversion Massage recliner, be sure to return it to its full upright position and lock into place.
- Stand up using the armrests for support.

Tip: To help you recline, slowly raise your hands above your head and lean back. Lock in your desired position with the easy lock levers. To sit upright, unlock the levers and move hands slowly towards your knees while leaning slightly forward. This will bring the recliner back to its full upright position.

## Power Adaptor Instructions

Connect the adaptor jack to the massage cushion's power receptacle located along the right side of the cushion. Once inserted, plug the other end into an AC power outlet. Use only the AC power adaptor provided with this unit.

## AC Power Adaptor Information

Your massage cushion is powered by an attached custom AC home adaptor. Use only the supplied AC home adaptor as other similar-looking adaptors may cause irreparable damage to the unit and will void your warranty.

## Massage Cushion and Hand Control Instructions

Press the POWER button once to activate the hand controller. A corresponding LED light will illuminate to indicate the power is ON. To deactivate, press again.

### Heat

To activate the heat function, your back must first be pushed against the cushion and the massage function must be on. Once resting comfortably, press the HEAT button once. The L.E.D. above the heat button will light indicating the heat is on.

**NOTE:** When selecting the heat feature with massaging action, there will be a slight decrease in the strength of the massage output. This adjustment is normal and should not be interpreted as a defect.

### Massage Strength

Use this function to customize the intensity of your massage. The intensity will increase with each press of the strength button providing three levels: low (L), medium (M), high (H). To change the intensity from high to low, press the button again.

### Massage Speed

Use this function to customize the speed of each massage cycle. The speed will increase with each press of the speed button providing three levels as well; low (L), medium (M), high (H). To change the speed from high to low, press the button again.

### Massage Styles and Target Zone Options

Choose from 8 massage functions. To activate, press the desired function button. You can move from one style to another by simply depressing the button of another style. You can further customize your massage by targeting body zones and varying the speed and intensity within each style.



### Power Button

To turn on the massage functions, first press the power button. The L.E.D. indicator will illuminate and confirm your selection. The massage functions can then be activated by pressing the appropriate buttons. To turn off the massage functions, simply press the button again and the L.E.D. indicator will turn off.

### Heat

Soothing heat to the lower back region is activated with this button. The L.E.D. light will glow to indicate the heat is on. To turn off heat, simply press the button again.

NOTE: When selecting the heat feature with massage action, there will be a slight decrease in the strength of the massage action. This is perfectly normal and should not be interpreted as a defect.

### Power Adaptors

Inversion Massage Recliner is powered by a custom 120 volt AC home adaptor.

Use only supplied adaptor.

### Massage Styles

The Spa Inversion Massage Recliner offers you 8 different massage styles that can easily be selected by pressing the desired button. You can move from one style to another by simply pressing each desired style button. The L.E.D. light will illuminate your selection. Pressing the same button again will turn off the current selection. You can further customize your massage by targeting body zones and varying the speed and/or intensity within each style.

- All Motors:** Activates all 12 motors for a total massage experience
- Random:** Carries pulses to the areas you select in random sequence
- Up and Down:** Pulses travel up and down your body
- Side to Side:** Action flows left to right, and back again
- Tapping:** Strong, invigorating bursts of massage
- Zig Zag:** Massage pulses move in a stimulating "Z" pattern
- In and Out:** Bursts of massage radiate in and out from the center
- Mix :** Combines all of the above styles for the ultimate massage surprise

### Zone Massage Buttons

Direct message to specific areas: neck/shoulders, back, lower back, seat, thighs. Customize your massage by choosing one specific area or any combination of areas. To personalize your massage, press any of the 6 zone buttons and the corresponding L.E.D. light will illuminate. To deselect an area(s), simply push the button again and the corresponding L.E.D. light will turn off.

### Massage Speed

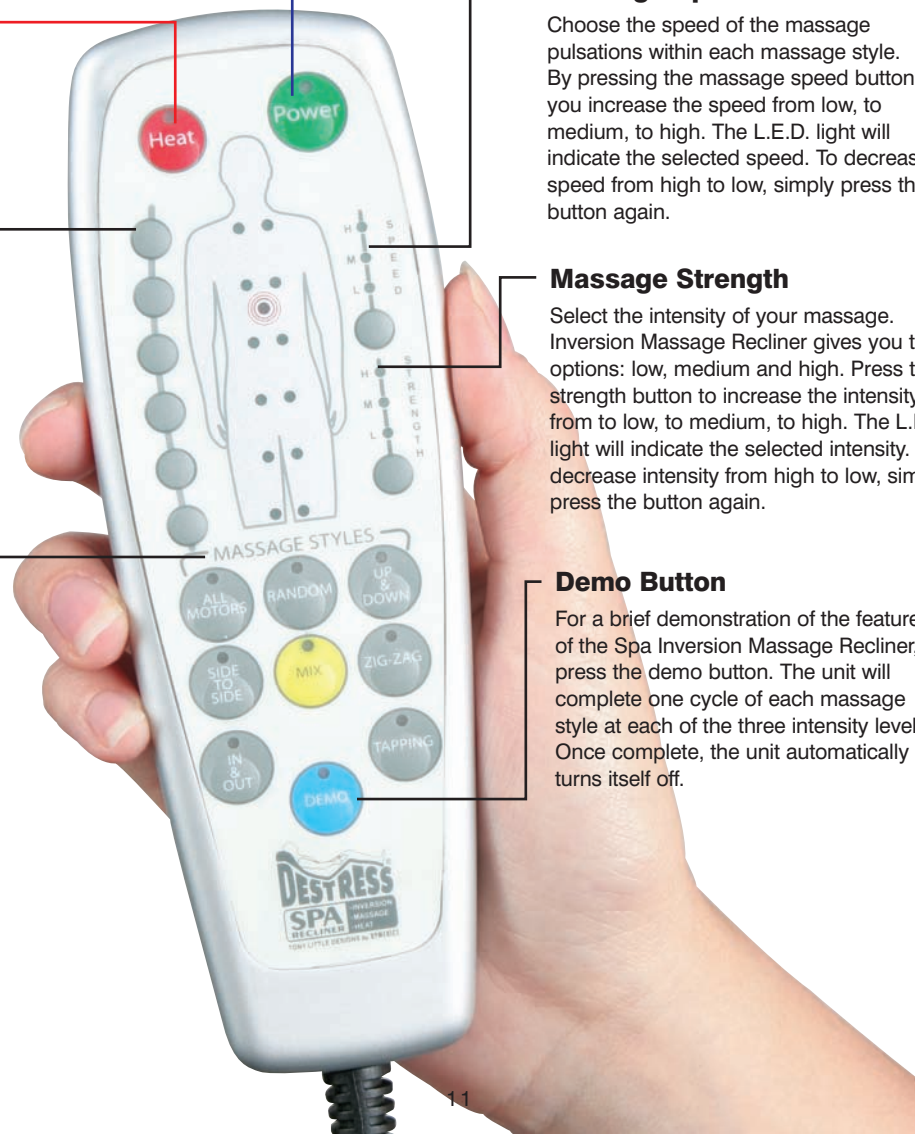
Choose the speed of the massage pulsations within each massage style. By pressing the massage speed button, you increase the speed from low, to medium, to high. The L.E.D. light will indicate the selected speed. To decrease speed from high to low, simply press the button again.

### Massage Strength

Select the intensity of your massage. Inversion Massage Recliner gives you three options: low, medium and high. Press the strength button to increase the intensity from low to low, to medium, to high. The L.E.D. light will indicate the selected intensity. To decrease intensity from high to low, simply press the button again.

### Demo Button

For a brief demonstration of the features of the Spa Inversion Massage Recliner, press the demo button. The unit will complete one cycle of each massage style at each of the three intensity levels. Once complete, the unit automatically turns itself off.



## Automatic Shut Off

The Spa Inversion Massage recliner has been designed for convenience and safety. As a special precaution against falling asleep while using the unit, or leaving the unit on while it is still in operation, we've programmed it to automatically stop working 60 minutes after receiving your last command. Any time you change massage functions, the timer will reset. This special feature should not be considered as a substitute for OFF. Always remember to turn your unit off when not in use.

**Please Note:**

**For added protection of your unit:** When the power is on but no function is selected or only the HEAT function is chosen with no massage function selected, the unit will automatically shut off after 15 minutes.

## Maintenance

**To Store:** Place the hand control into the custom storage pouch which hangs from the right side armrest . Avoid contact with sharp edges or pointed objects which might damage/puncture the fabric.

**To Clean:** Disconnect massage cushion from power source before cleaning. The massage cushion and hand control may be cleaned with a soft, damp cloth only.

- The massage cushion is not machine washable and must not come into contact with water or any other liquids.
- Do not immerse into liquids to clean.
- Never use abrasive cleaners, brushes, gasoline, kerosene, polish or paint thinner to clean.
- Do not attempt to repair your Spa Inversion Massage recliner. There are no user serviceable parts. For service, send the unit to the HoMedics service address listed in the warranty section.

**Frame:** Periodically, the frame should be checked to ensure the screws are tight. If the frame is found to be loose, tighten screws with the tools provided.

The Inversion Massage recliner and massage cushion are designed for indoor applications only. Use of this product for outdoor applications may cause irreparable damage and void your warranty.



HoMedics sells its products with the intent that they are free of defects in manufacture and workmanship for a period of two years from the date of original purchase, except as noted below. HoMedics warrants that its products will be free of defects in material and workmanship under normal use and service. This warranty extends only to consumers and does not extend to Retailers.

To obtain warranty service on your HoMedics product, mail the product and your dated sales receipt (as proof of purchase), postpaid, to the following address:

HoMedics Consumer Relations  
Service Center Dept. 168  
3000 Pontiac Trail  
Commerce Township, MI 48390

No COD's will be accepted.

HoMedics does not authorize anyone, including, but not limited to, Retailers, the subsequent consumer purchaser of the product from a Retailer or remote purchasers, to obligate HoMedics in any way beyond the terms set forth herein. This warranty does not cover damage caused by misuse or abuse; accident; the attachment of any unauthorized accessory; alteration to the product; improper installation; unauthorized repairs or modifications; improper use of electrical/power supply; loss of power; dropped product; malfunction or damage of an operating part from failure to provide manufacturer's recommended maintenance; transportation damage; theft; neglect; vandalism; or environmental conditions; loss of use during the period the product is at a repair facility or otherwise awaiting parts or repair; or any other conditions whatsoever that are beyond the control of HoMedics.

This warranty is effective only if the product is purchased and operated in the country in which the product is purchased. A product that requires modifications or adoption to enable it to operate in any other country than the country for which it was designed, manufactured, approved and/or authorized, or repair of products damaged by these modifications is not covered under this warranty.

THE WARRANTY PROVIDED HEREIN SHALL BE THE SOLE AND EXCLUSIVE WARRANTY. THERE SHALL BE NO OTHER WARRANTIES EXPRESS OR IMPLIED INCLUDING ANY IMPLIED WARRANTY OF MERCHANTABILITY OR FITNESS OR ANY OTHER OBLIGATION ON THE PART OF THE COMPANY WITH RESPECT TO PRODUCTS COVERED BY THIS WARRANTY. HOMEDICS SHALL HAVE NO LIABILITY FOR ANY INCIDENTAL, CONSEQUENTIAL OR SPECIAL DAMAGES. IN NO EVENT SHALL THIS WARRANTY REQUIRE MORE THAN THE REPAIR OR REPLACEMENT OF ANY PART OR PARTS WHICH ARE FOUND TO BE DEFECTIVE WITHIN THE EFFECTIVE PERIOD OF THE WARRANTY. NO REFUNDS WILL BE GIVEN. IF REPLACEMENT PARTS FOR DEFECTIVE MATERIALS ARE NOT AVAILABLE, HOMEDICS RESERVES THE RIGHT TO MAKE PRODUCT SUBSTITUTIONS IN LIEU OF REPAIR OR REPLACEMENT.

This warranty does not extend to the purchase of opened, used, repaired, repackaged and/or resealed products, including but not limited to sale of such products on Internet auction sites and/or sales of such products by surplus or bulk resellers. Any and all warranties or guarantees shall immediately cease and terminate as to any products or parts thereof which are repaired, replaced, altered, or modified, without the prior express and written consent of HoMedics.

This warranty provides you with specific legal rights. You may have additional rights which may vary from country to country. Because of individual country regulations, some of the above limitations and exclusions may not apply to you.

For more information regarding our product line in the USA, please visit: [www.homedics.com](http://www.homedics.com)

**HoMedics Service Center**  
**1.800.466.3342**  
**8:30 – 5:00 p.m. (EST) M – F**

**Mail To:**  
**HoMedics**  
**Service Center Dept. 168**  
**3000 Pontiac Trail**  
**Commerce Township, MI**  
**48390**

**Email:**  
**[cservice@homedics.com](mailto:cservice@homedics.com)**



©2006-2008 HoMedics, Inc. and its affiliated companies, all rights reserved. HoMedics® is a registered trademark of HoMedics Inc. and its affiliated companies. All rights reserved.  
IB-AG4000TLB

**Manual de instrucciones  
e información de garantía**

AG-4000TL

**2** year  
limited warranty

**2** años  
garantía limitada





## UN MENSAJE DE TONY LITTLE

Mi compromiso es, y será siempre con usted, el cliente. Haré siempre lo mejor para ofrecerle productos novedosos y útiles para mejorar su calidad de vida, en todas las categorías de la salud y el bienestar.

Disfrute de la vida, Crea en sí mismo y ¡Siempre adelante!

America's Personal Trainer®

## PRECAUCIONES IMPORTANTES

CUANDO UTILICE PRODUCTOS ELÉCTRICOS, ESPECIALMENTE CUANDO ESTÁN NIÑOS PRESENTES, SE DEBEN CUMPLIR CIERTAS PRECAUCIONES BÁSICAS DE SEGURIDAD, INCLUYENDO LO SIGUIENTE:

LEA TODAS LAS INSTRUCCIONES ANTES DE USAR

### PELIGRO - PARA REDUCIR EL RIESGO DE ELECTROCUCIÓN:

- SIEMPRE desenchufe el artefacto del tomacorriente, inmediatamente después de usar y antes de limpiarlo.
- NUNCA intente tomar un artefacto que haya caído al agua. Desenchúfelo de inmediato.
- NO lo use mientras toma un baño o se ducha.

### ADVERTENCIA - PARA REDUCIR EL RIESGO DE QUEMADURAS, ELECTROCUCIÓN, INCENDIO O LESIONES A LAS PERSONAS:

- Un artefacto nunca debe ser dejado sin atención cuando está enchufado. Desenchúfelo del tomacorriente cuando no lo esté usando y antes de colocar o quitar piezas o accesorios.
- Es necesaria una supervisión estricta cuando este artefacto sea usado por niños o personas inválidas o con incapacidades, o cerca de ellos.
- Utilice este artefacto sólo para el uso para el cual fue diseñado y como se describe en este manual. No use accesorios no recomendados por HoMedics, especialmente si no han sido incluidos con la unidad.
- NUNCA haga funcionar este artefacto si tiene el cable o enchufe dañado, si no está funcionando adecuadamente, si se cayó o se dañó o si se dejó caer al agua. Envíelo al Centro de servicio de HoMedics para que lo examinen y lo reparen.
- NUNCA use alfileres ni otros sujetadores metálicos con este artefacto.

**Atención:**  
**Las manos y los dedos deben descansar cómodamente sobre los apoyabrazos. Al ajustar las distintas posiciones del sillón reclinable, los dedos pueden quedar pellizcados si se colocan en las áreas de las patas, indicadas en amarillo en la etiqueta de advertencia. (Vea la etiqueta amarilla de advertencia en el área de las patas del sillón reclinable).**

- Mantenga el cable alejado de superficies calientes.
- NUNCA lo use al dormir, ni se duerma mientras esté usando el aplicador de masajes.
- NUNCA lo deje caer ni inserte objeto alguno en ninguna apertura.
- NO lo use donde se hayan usado productos de aerosol (spray) o donde se esté administrando oxígeno.
- NO lo use bajo una cobija o almohada. Podría ocurrir calor excesivo y causar incendio, choque eléctrico o lesiones a personas.
- NO traslade este aparato halándolo por el cable ni use el cable como manija.
- Para desconectarlo, coloque todos los controles en la posición "OFF", luego desenchúfelo de la toma de corriente.
- Este aparato fue diseñado únicamente para uso doméstico.
- Este artefacto está diseñado únicamente para uso personal, no profesional. Este artefacto debe ser utilizado únicamente con fines personales, no profesionales.

## GUARDE ESTAS INSTRUCCIONES

**Precaución— Sírvase leer todas las instrucciones cuidadosamente antes de usar este aparato.**

- Este producto no está diseñado para uso médico. Está diseñado sólo para proporcionar un masaje de lujo.
- Si tiene cualquier preocupación con respecto a su salud, hable con su médico antes de usar este producto.
- Los individuos con marcapasos deben hablar con un médico antes de usarlo.
- NUNCA deje el aparato sin supervisión, especialmente si hay niños presentes.
- NUNCA cubra el aparato cuando esté en funcionamiento.
- NO use la función de masajes por más de 60 minutos a la vez. El uso extensivo podría causar calentamiento excesivo y acortar la vida útil del producto. Si esto ocurre, discontinúe el uso y permita que se enfríe la unidad antes de usarla nuevamente.
- NUNCA use este producto directamente sobre áreas hinchadas o inflamadas o sobre erupciones de la piel.
- NO use este producto antes de acostarse. El masaje tiene un efecto estimulante y puede demorar el sueño.
- NUNCA use este producto mientras esté en la cama.
- Este producto nunca debe usarlo ningún individuo que sufra de cualquier enfermedad física que podría limitar la capacidad del usuario para utilizar los controles.
- Este producto no debe ser usado NUNCA por individuos que padezcan algún tipo de enfermedad que pueda limitar o inhibir totalmente la capacidad del usuario de sentir o tener cualquier sensación en la parte del cuerpo donde está siendo usado el producto.
- Esta unidad no debe ser usada por niños sin la supervisión de un adulto.

**Observación importante:**  
**Si usted experimenta algún tipo de distorsión o interferencia de ruido cuando posiciona la unidad en ENCENDIDO (ON), apague inmediatamente la unidad. Espere unos segundos antes de encender la unidad; la distorsión o interferencia deberían ser eliminadas.**

## 1. Instrucciones de Ensamblaje/Componentes:

Retire cuidadosamente todos los elementos del paquete e inspeccione el producto para asegurarse de haber recibido todas las piezas del sillón. Deben incluir:

- Marco izquierdo (A)
- Marco derecho con bolsa para el control manual (B)
- Travesaños (2) (C)
- Marcos del respaldo y patas (D E)
- Tapas de pernos/tuercas y arandelas (8) (F)
- Pernos grandes (8) (G)
- Llaves (3) (H)
- Adaptador de CA (I)
- Tapas de madera (J)

Vea la Figura 1.

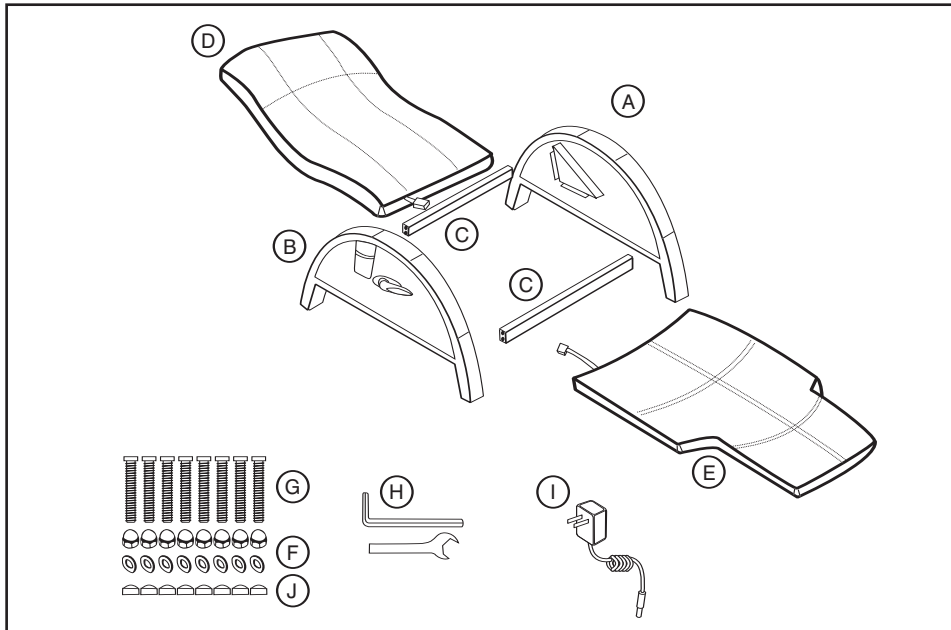


Figura 1

## 2. Arme la base del sillón

Figura 2A

- Sujete ambos travesaños al marco izquierdo. Asegúrese de acoplar el número del travesaño con el número correspondiente del marco.
- Inserte los pernos grandes y ajústelos parcialmente con la llave Allen.



Figura 2A

Figure 2B/3

- Sujete ambos travesaños al marco derecho, acoplando los números correspondientes.
- Inserte los pernos grandes y ajústelos parcialmente con la llave Allen.

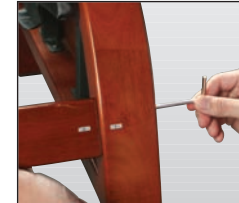


Figura 2B



Figura 3

## 3. Adjunte el marco del asiento/pata a la base

Figura 4

- Sobre una superficie suave y alfombrada, gire el marco boca abajo.
- Deslice el marco del asiento bajo el travesaño. Alinee el marco del asiento, con los pernos pre-insertados, con el marco; asegúrese de acoplar los números correspondientes.



Figura 4

Figura 5/5A

- Coloque una arandela y una tuerca en cada perno para asegurar el asiento a la base del asiento del sillón. Apriete parcialmente con la llave.



Figura 5

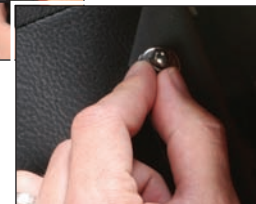


Figura 5A

## 4. Adjunte el marco del respaldo a la base

### Figura 7A/7B/8

- Vuelva a colocar el sillón en su posición normal.
- Deslice el espaldar del sillón en el marco, acoplando los números correspondientes.



Figura 7A



Figura 7B



Figura 8

### Figura 9

- Desde el lado de atrás, coloque arandelas y atornille todos los pernos para sujetar el espaldar a la base del sillón.
- Apriete completamente todas las tuercas y pernos de todo el sillón.



Figura 9

## 5. Pasos finales

### Figura 10

- Inserte firmemente el conector desde el fondo del cojín del espaldar al conector en el cojín del asiento, como se indica en la Figura 10.



Figura 10

### Figura 11

- Instale las tapas de madera en cada uno de los orificios de los pernos.
- Retire del marco del sillón los adhesivos con los números.



Figura 11

## Instrucciones para el uso del sillón reclinable Inversion Massage

Su sillón reclinable Inversion Massage está diseñado para brindarle relajación en una variedad de posiciones utilizando las palancas de bloqueo fácil a los lados de los brazos. La posición ideal para una relajación óptima es una en la cual los pies estén por encima del corazón.

**NOTA: El diseño del sillón reclinable Spa Inversion Massage tiene un límite de peso de 350 libras. Las personas que excedan este peso corporal no deben usar este sillón reclinable.**

- Antes de sentarse en el sillón reclinable Inversion Massage, asegúrese de que está en la posición completamente derecha soltando las palancas y halando el espaldar hacia delante hasta que llegue al tope.
- Bloquee el sillón reclinable en la posición derecha empujando las palancas adelante hacia el apoyapiés.
- Siéntese en el sillón, libere las palancas del sillón reclinable, y recuéstese hacia atrás despacio. Sentarse lo más atrás posible en el sillón le hará más fácil reclinarse. Para ajustar el ángulo del sillón, sujétese de los brazos y recuéstese hacia atrás o hacia adelante hasta que alcance la posición deseada. Bloquee la posición tirando de las palancas hacia atrás hacia su cabeza.
- Puede levantar el apoyapiés tirándolo hacia arriba. Cada vez que el sillón adopte una posición determinada hará un clic. Para bajar el apoyapiés, levántelo hasta que se detenga y luego oprima de nuevo hacia abajo en dirección al piso.
- Antes de levantarse del sillón reclinable Spa Inversion Massage, asegúrese de devolverlo a su posición completamente derecha y de bloquearlo en esa posición.
- Póngase de pie utilizando los brazos como apoyo.

Consejo: Para ayudar a reclinarse, levante despacio las manos arriba de su cabeza y recuéstese. Bloquee en la posición deseada con las palancas de bloqueo fácil. Para sentarse derecho, desbloquee las palancas y mueva las manos despacio hacia sus rodillas mientras se inclina levemente hacia adelante. Esto regresará el sillón reclinable a su posición completamente derecha.

## Instrucciones del adaptador de corriente

Conecte la ficha del adaptador al receptáculo de corriente del almohadón masajeador, ubicado en el lado derecho del almohadón. Una vez introducido, enchufe el otro extremo a un tomacorriente de CA. Use únicamente el adaptador de CA eléctrica proporcionado con esta unidad.

## Información del adaptador de CA

Su almohadón masajeador se alimenta con un adaptador de CA doméstica normal adjunto. Use únicamente el adaptador de CA doméstica proporcionado ya que otros adaptadores que parezcan similares pueden causar daño irreparable a la unidad y anularán su garantía.

## Instrucciones del almohadón masajeador y del control manual

Oprima el botón POWER (ENCENDIDO) para activar el controlador manual. El LED correspondiente se ilumina para indicar que está encendido. Para desactivar, oprima nuevamente.

### Calor

Para activar la función de calor, primero debe empujar la espalda contra el cojín y la función de masaje debe estar encendida. Una vez que esté descansando cómodamente, presione el botón de CALOR (HEAT) una vez. El LED sobre el botón de calor se encenderá indicando que el calor está encendido.

**NOTA:** Cuando seleccione la característica de calor con acción masajeadora, habrá un leve descenso en la fuerza de salida del masaje. Este ajuste es normal y no se debe interpretar como un defecto.

### Intensidad del Masaje

Utilice esta función para personalizar la intensidad de su masaje. La intensidad aumentará cada vez que oprima el botón de fuerza que tiene tres niveles, bajo (L), medio (M) y alto (H). Para cambiar la intensidad de alta a baja, oprima el botón nuevamente.

### Velocidad del masaje

Utilice esta función para personalizar la intensidad de cada ciclo de masajes. La velocidad aumentará cada vez que oprima el botón de velocidad que tiene también tres niveles; bajo (L), medio (M) y alto (H). Para cambiar la intensidad de alta a baja, oprima el botón nuevamente.

### Estilos de masajes y opciones de zona localizada

Puede elegir entre 8 funciones de masaje. Para activar, oprima el botón de la función deseada. Puede moverse de un estilo a otro simplemente apretando el botón para elegir otro estilo. Puede personalizar su masaje aún más, eligiendo zonas del cuerpo localizadas y variando la velocidad y la intensidad dentro de cada estilo.



### Botón de encendido

Para encender las funciones de masaje, presione primero el botón POWER (encendido). El indicador LED se iluminará y confirmará su selección. Las funciones de masaje pueden activarse oprimiendo los botones apropiados. Para apagar las funciones de masaje, simplemente presione nuevamente el botón y el indicador LED se apagará.

### Calor

Con este botón se activa un calor relajante en la zona baja de la espalda. La luz del LED se encenderá para indicar que el calor está encendido. Para apagar el calor, simplemente presione el botón una vez más.

NOTA: Cuando seleccione la característica de calor con acción masajeadora, habrá un leve descenso en la fuerza de acción del masaje. Esto es perfectamente normal y no se debe interpretar como un defecto.

### Adaptadores de energía

El sillón reclinable Inversion Massage se alimenta por medio de un adaptador doméstico regular de 120 voltios de CA.

Use únicamente el adaptador proporcionado.

### Estilos de masaje

El sillón reclinable Spa Inversion Massage le ofrece 8 estilos de masaje diferentes que pueden ser fácilmente seleccionados oprimiendo el botón deseado. Puede moverse de un estilo a otro simplemente presionando el botón para cada estilo deseado. Las luces LED se encenderán indicando su selección. Si oprime nuevamente el mismo botón la selección actual se apagará. Puede personalizar aún más su masaje localizando zonas del cuerpo y variando la velocidad y/o intensidad dentro de cada estilo.

**Todos los motores:** Activa los 12 motores para experimentar un masaje total

**Aleatoria:** Transmite pulsaciones en las áreas que usted selecciona en una secuencia aleatoria

**Hacia arriba y hacia abajo:** Las pulsaciones viajan por su cuerpo hacia arriba y hacia abajo

**De un lado a otro:** La acción corre de izquierda a derecha y viceversa

**Golpeteos:** Aplicaciones de masaje fuertes y vigorizantes

**Zig Zag:** Las pulsaciones de masaje se mueven en un estimulante patrón de "Z"

**Dentro y fuera:** Explosiones de masaje se irradian hacia adentro y hacia afuera del centro

**Mezcla:** Combina todos los estilos mencionados anteriormente para lograr una suprema sorpresa en cuanto a masajes

### Botones de masaje localizado

Masaje directo en áreas específicas: cuello/hombros, espalda, parte baja de la espalda, nalgas, muslos. Personalice su masaje eligiendo un área específica o cualquier combinación de áreas. Para personalizar su masaje, oprima cualquiera de los 6 botones de zona y el LED correspondiente se encenderá. Para anular la selección, simplemente vuelva a presionar el botón y las luces LED correspondientes se apagaran.

### Velocidad del Masaje

Elija la velocidad de las pulsaciones del masaje dentro de cada estilo de masaje. Si oprime el botón de velocidad de masaje, aumenta la velocidad de baja, a media, a alta. La luz del LED le indicará la velocidad seleccionada. Para disminuir la velocidad de alta a baja, simplemente presione nuevamente el botón.

### Intensidad del Masaje

Elija la intensidad de su masaje. El sillón reclinable Spa Inversion Massage le ofrece tres opciones: baja, media o alta. Oprima el botón de fuerza para aumentar la intensidad de baja, a media, a alta. La luz del LED le indicará la intensidad seleccionada. Para disminuir la intensidad de alta a baja, simplemente presione nuevamente el botón.

### Botón de Demostración

Para una breve demostración de las características sillón reclinable Spa Inversion Massage, presione el botón de demostración. La unidad completará un ciclo de cada estilo de masaje en cada uno de los tres niveles de intensidad. Una vez completada, la unidad se apaga automáticamente.



## Apagado automático

El sillón reclinable Spa Inversion Massage ha sido diseñado para su comodidad y seguridad. Como precaución especial contra la posibilidad de quedarse dormido mientras se está usando esta unidad, o de dejarla prendida mientras está todavía activa, ésta ha sido programada para que deje de funcionar a los 60 minutos después de haber recibido el último mando. Cada vez que cambie las funciones de masajes, el cronómetro volverá a cero. Esta característica especial no debe ser considerada un sustituto del apagado. Siempre recuerde apagar su unidad cuando no la esté usando.

### Atención:

**Para proteger aún más su unidad:** Cuando la unidad está encendida pero no se ha seleccionado ninguna función, o sólo se seleccionó la función HEAT (calor) sin ninguna función de masaje, ésta se apagará automáticamente después de 15 minutos.

## Mantenimiento

**Para guardar:** Coloque el control manual dentro su bolsa correspondiente, que está colgada del brazo derecho. Evite el contacto con bordes filosos u objetos punzantes que puedan dañar o perforar la tela.

**Para limpiar:** Desconecte el almohadón masajeador de la fuente de energía antes de limpiar. El almohadón masajeador y el control manual pueden limpiarse únicamente con un paño suave húmedo.

- El almohadón masajeador no se puede lavar a máquina y no debe entrar en contacto con agua ni ningún otro líquido.
- Para limpiar, no sumerja en ningún líquido.
- Nunca utilice limpiadores abrasivos, cepillos, gasolina, querosén, barniz o diluyente de pintura para limpiar.
- No intente reparar su sillón reclinable Spa Inversion Massage. No hay piezas que necesiten servicio. Por servicio, envíe la unidad a la dirección del servicio HoMedics que se detalla en la sección de garantía.

**Marco:** El marco debe verificarse periódicamente para asegurarse de que los tornillos estén apretados. Si el marco está flojo, ajuste los tornillos con las herramientas proporcionadas.

El sillón reclinable Inversion Massage y el almohadón masajeador están diseñados para aplicaciones interiores solamente. El uso de este producto para aplicaciones exteriores puede causar daño irreparable y anular su garantía.

